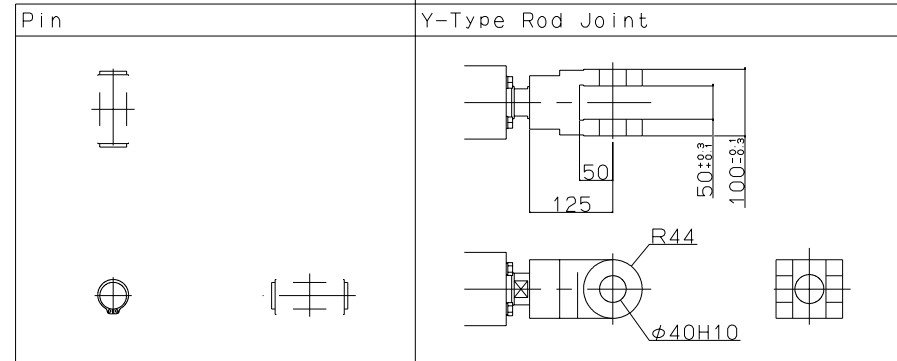
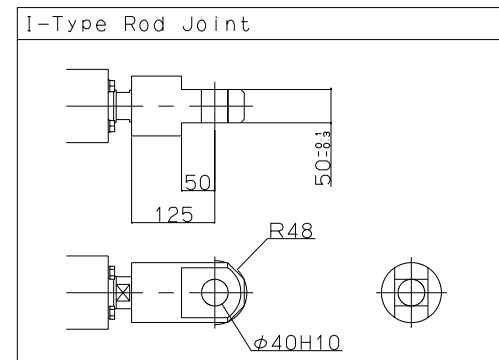
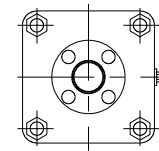
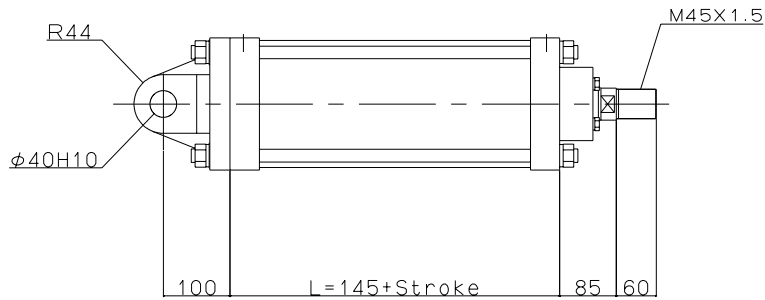
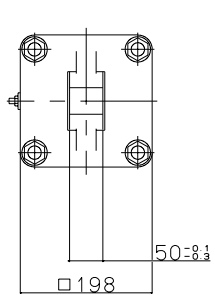
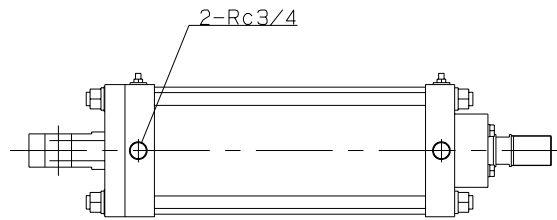
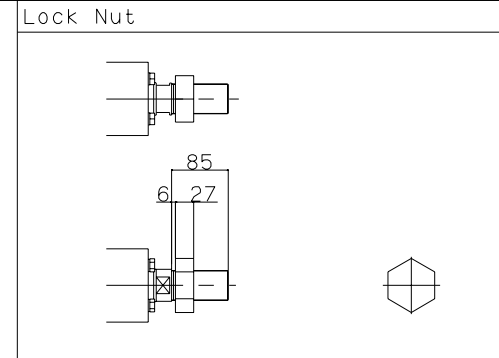
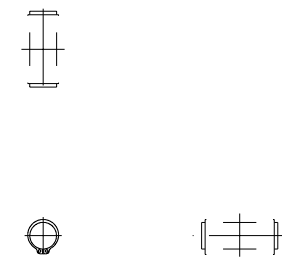


Stroke	L
100	245
150	295
200	345
250	395
300	445
350	495
400	545
500	645
600	745
700	845
800	945
900	1045
1000	1145

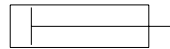


Pin



Lock Nut

JIS Symbol



Model :  
 CP611-N-CA-180X350  
 CP611H-N-CA-180X350  
 CP611S2-N-CA-180X350  
 CP611S2H-N-CA-180X350  
 CP665-N-CA-180X350

Maker :  
 KONAN

File Name :  
 CP61-N-CA-180