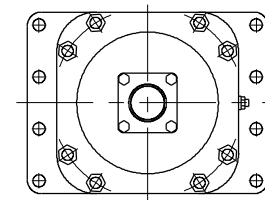
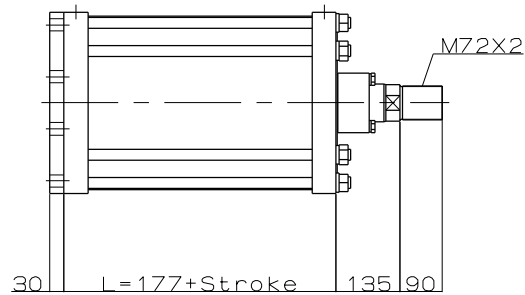
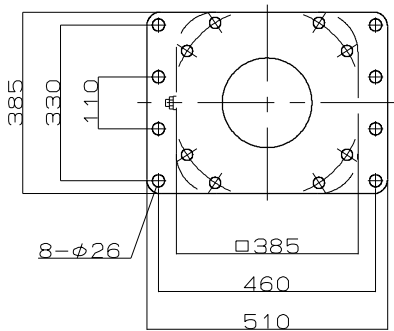
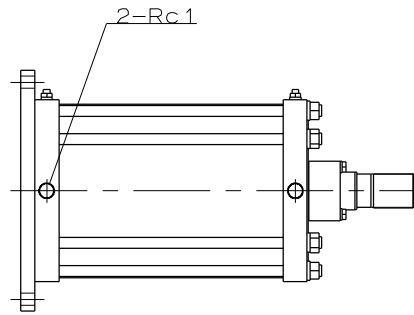


Stroke	L
100	277
150	327
200	377
250	427
300	477
350	527
400	577
500	677
600	777
700	877
800	977
900	1077
1000	1177



	I-Type Rod Joint
Pin	Y-Type Rod Joint
	Lock Nut

JIS Symbol	
Model:	CP611-N-FB-350X400 CP611H-N-FB-350X400 CP611S2-N-FB-350X400 CP611S2H-N-FB-350X400 CP665-N-FB-350X400
Maker:	KONAN
File Name:	CP61-N-FB-350