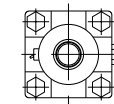
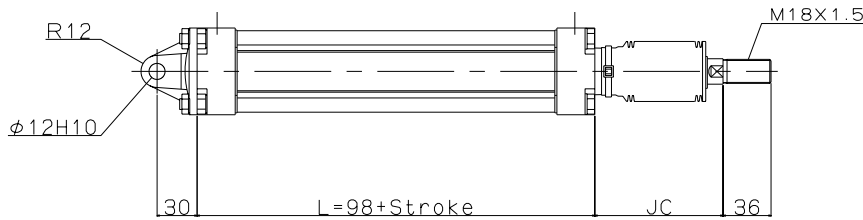
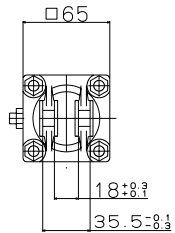
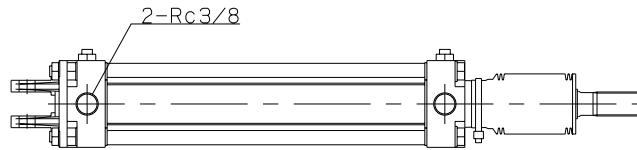
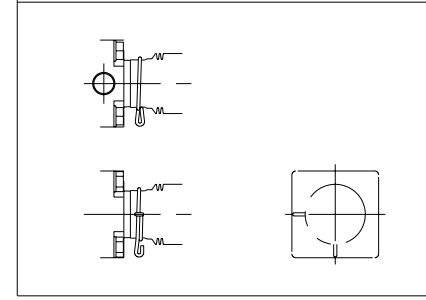


| Stroke | L   |
|--------|-----|
| 100    | 198 |
| 150    | 248 |
| 200    | 298 |
| 250    | 348 |
| 300    | 398 |
| 400    | 498 |
| 500    | 598 |
| 600    | 698 |

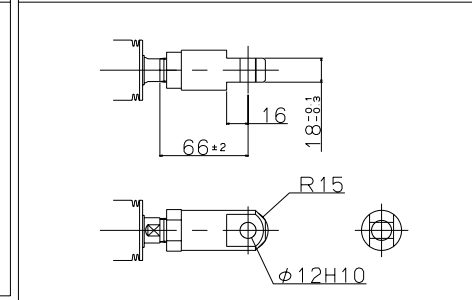
| Stroke  | JC  |
|---------|-----|
| 0~50    | 60  |
| 51~100  | 68  |
| 101~150 | 82  |
| 151~200 | 96  |
| 201~300 | 124 |
| 301~400 | 151 |
| 401~500 | 179 |
| 501~600 | 207 |



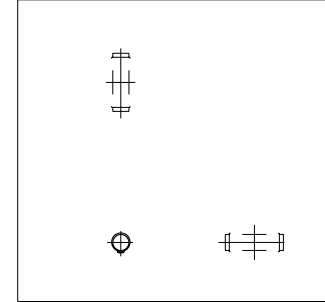
CP68H-Type Bellows band



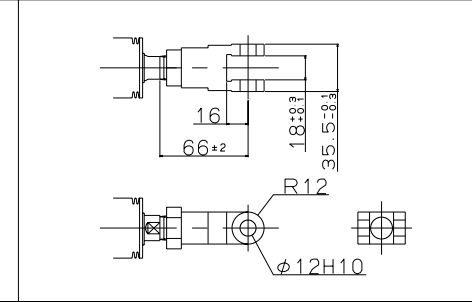
I-Type Rod Joint



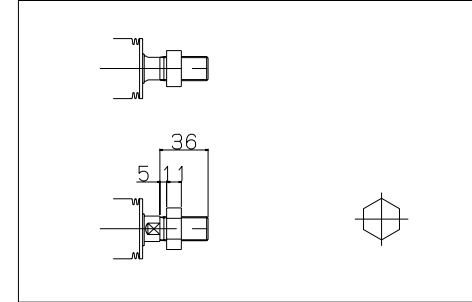
Pin



Y-Type Rod Joint



Lock Nut



JIS Symbol



Model:  
CP6810-A-CB-50X200  
CP6810H-A-CB-50X200  
Maker: KONAN  
File Name: CP681-A-CB-50