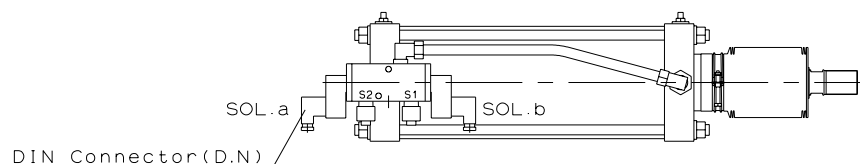
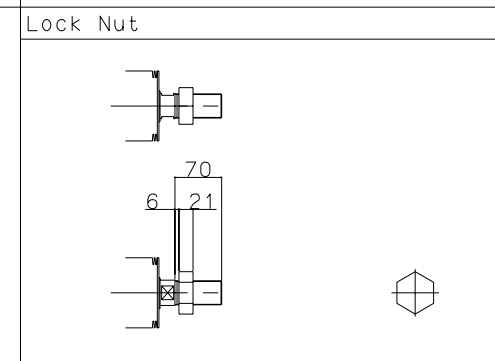
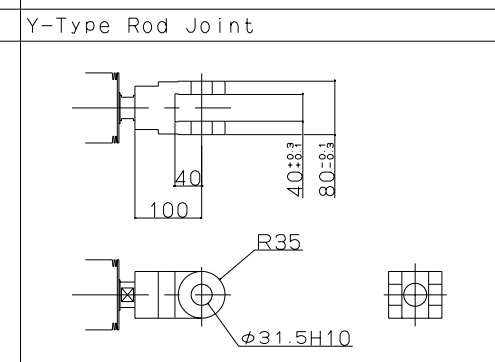
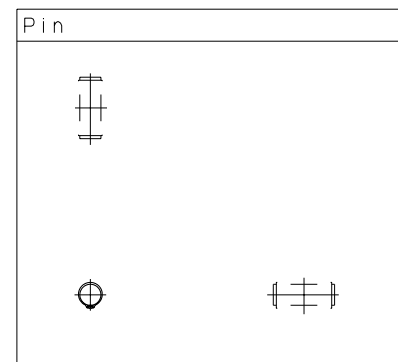
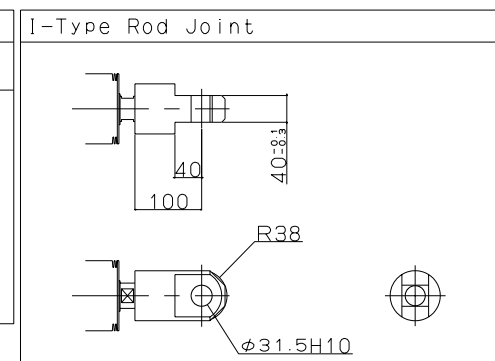
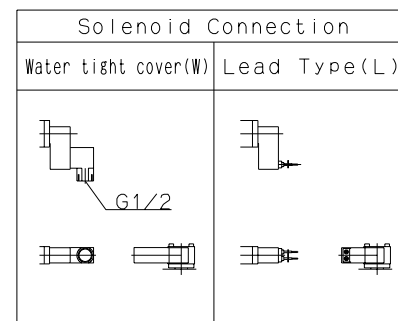
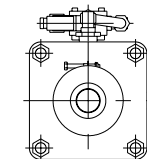
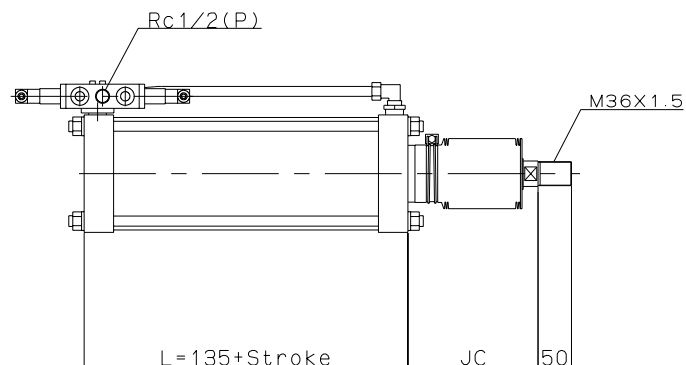
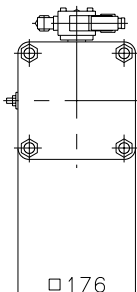


Stroke	L
100	235
150	285
200	335
250	385
300	435
350	485
400	535
500	635
600	735
700	835
800	935

Stroke	JC
0~160	125
161~250	150
251~400	195
401~630	265
631~800	315



DIN Connector(D.N)



JIS Symbol

Model:
MP665-A(B)(D)-N-160X350-HD

Maker:
KONAN

File Name:
MP66-A-N-160-HD