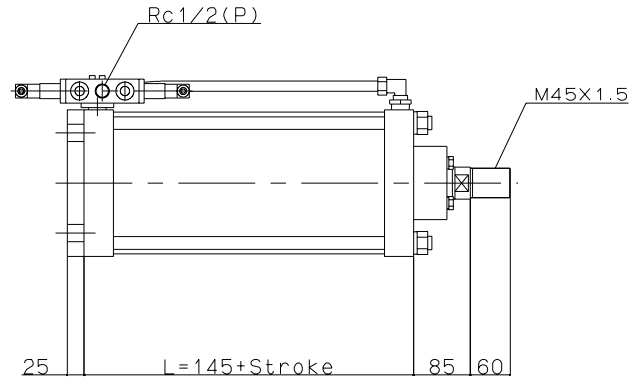
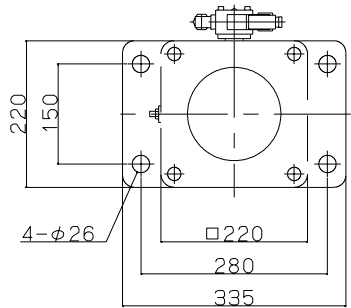
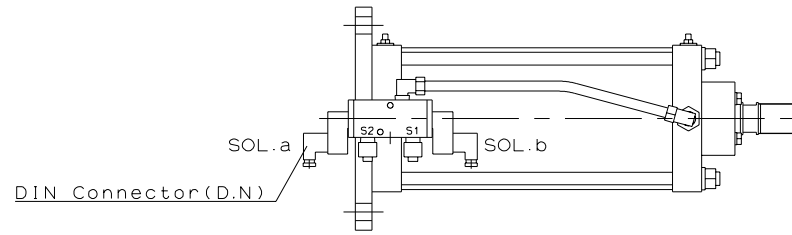
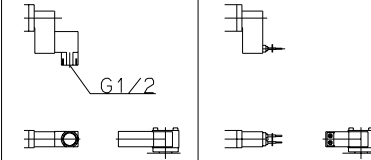


Stroke	L
100	245
150	295
200	345
250	395
300	445
350	495
400	545
500	645
600	745
700	845
800	945
900	1045
1000	1145

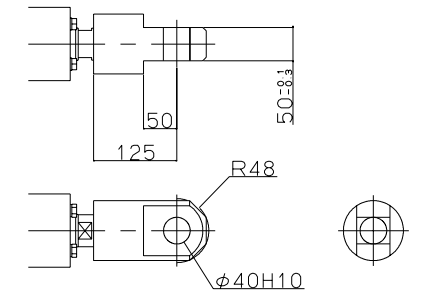


### Solenoid Connection

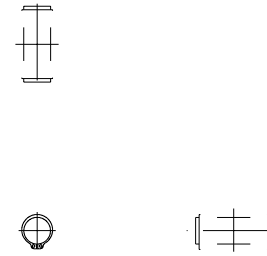
Water tight cover(W)    Lead Type(L)



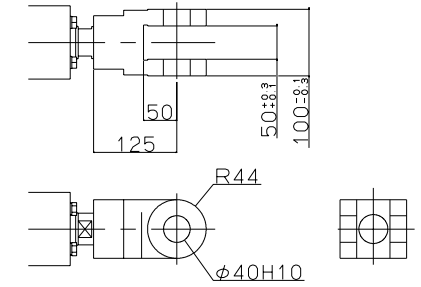
### I-Type Rod Joint



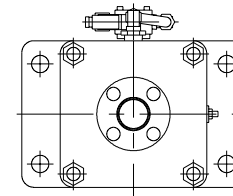
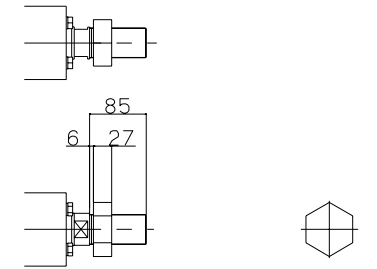
### Pin



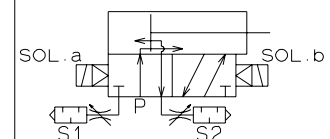
### Y-Type Rod Joint



### Lock Nut



### JIS Symbol



Model:  
MP665-N-FB-200X350-HD

Maker:  
KONAN

File Name:  
MP66-N-FB-200-HD