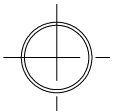
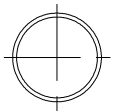
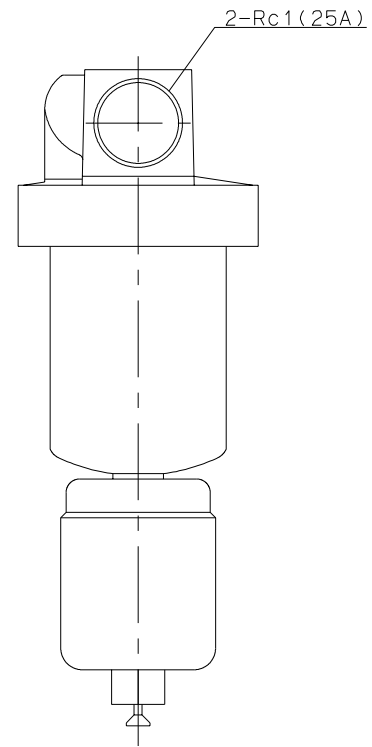
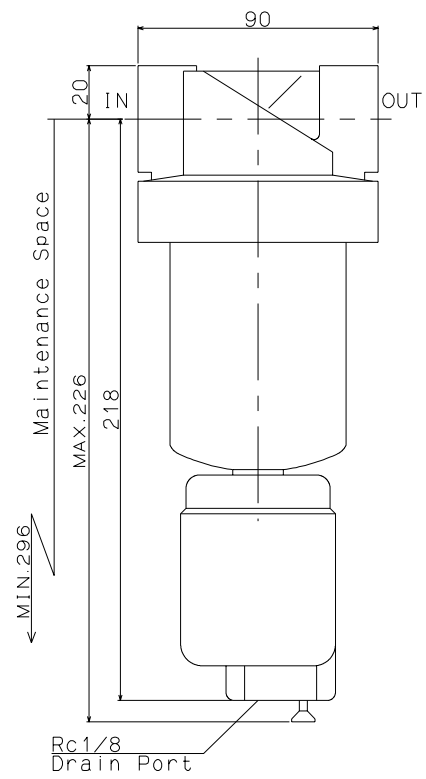
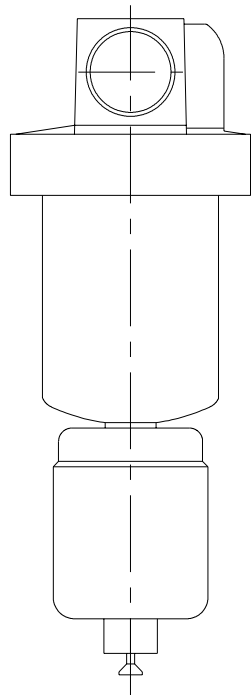
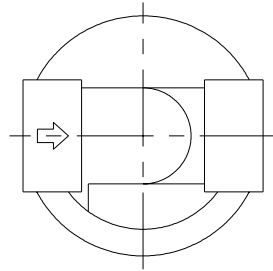
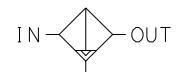


Port Size	
Rc3/4 (20A)	Rc1 (25A)
	



JIS Symbol 	Model: ADF2-08-20A.25A
	ADF2S-08-20A.25A
	Maker: KONAN
	File Name: ADF2-08