

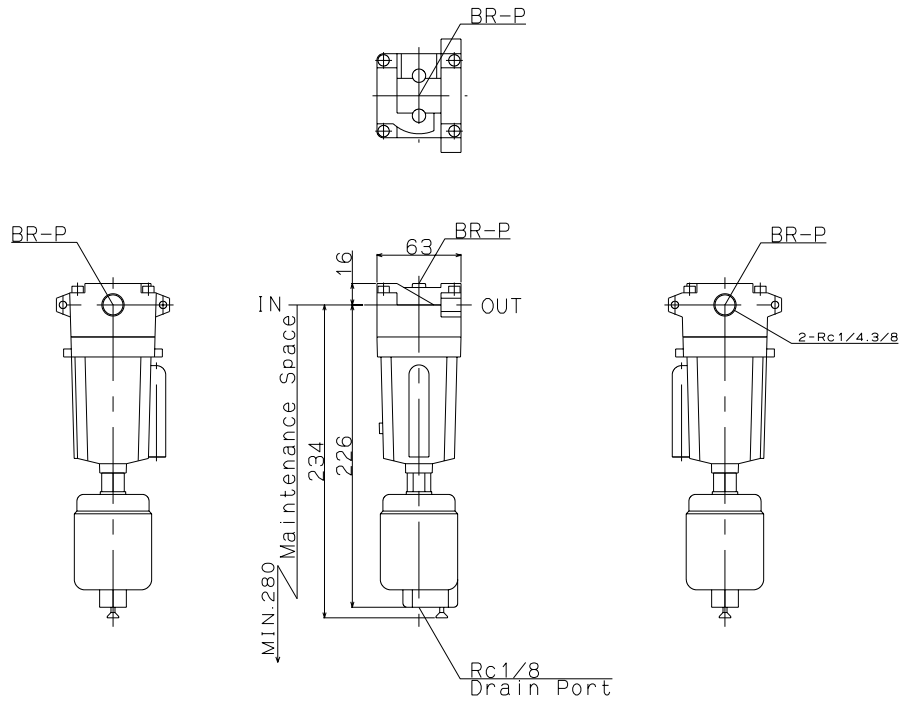

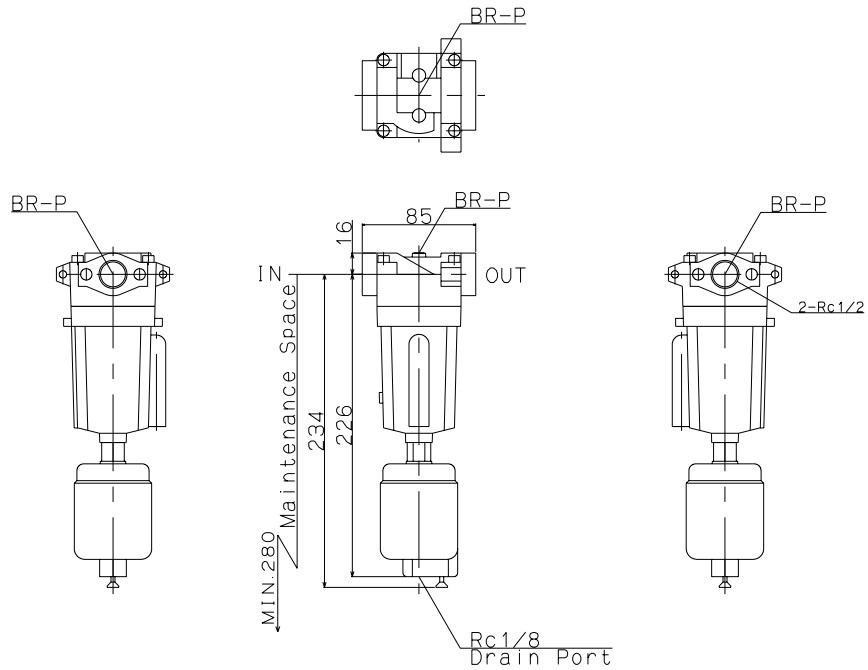
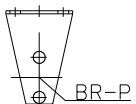
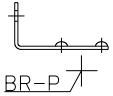
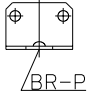
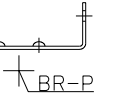
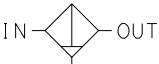


Port Size	
Rc1/4 (8A)	Rc3/8 (10A)
	



Port Size
Rc1/2 (15A)




Bracket		
BR-P : Bracket Pivot		
		
		
JIS Symbol		
	Model : ADF21-04-8A.10A.15A ADF21S-04-8A.10A.15A	
Maker : KONAN		
File Name : ADF21-04		