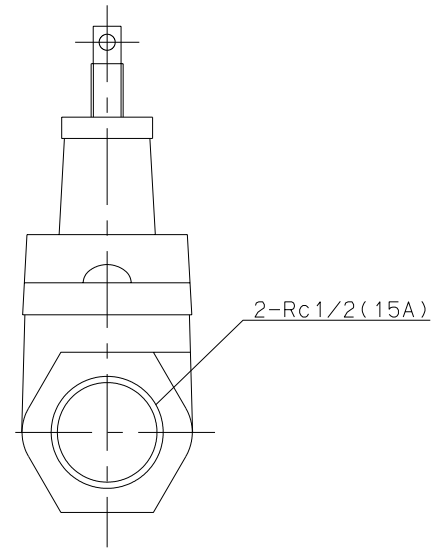
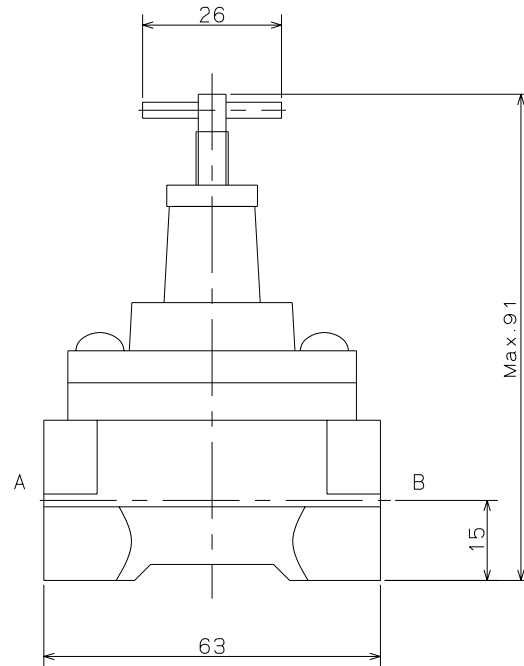
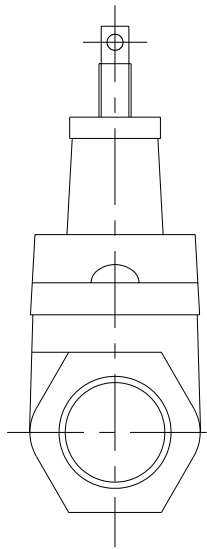


Port Size		
Rc 1/4 (8A)	Rc 3/8 (10A)	Rc 1/2 (15A)



JIS Symbol 	Model :	SC6-04-8A.10A.15A SC6S-04-8A.10A.15A
	Maker :	KONAN
	File Name :	SC6-02