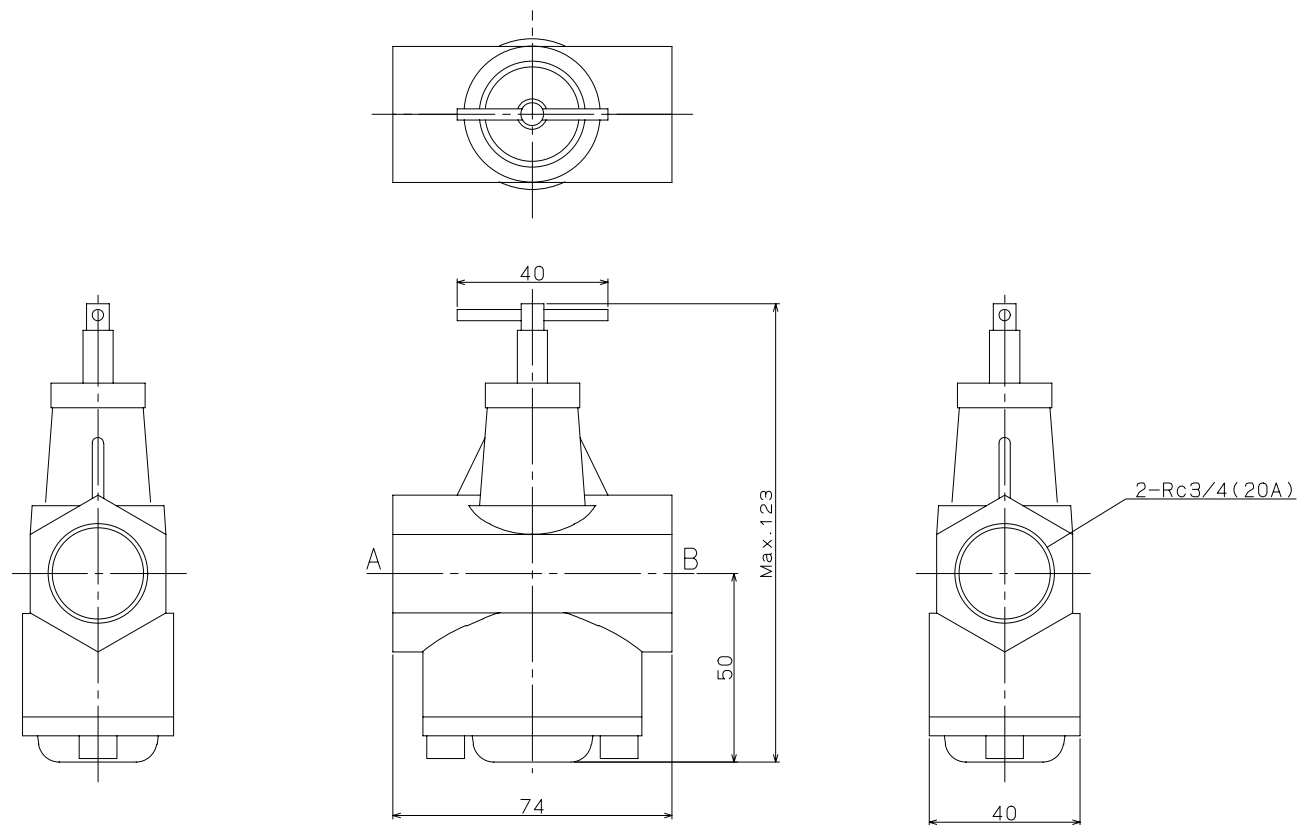


Port Size	
Rc 1/2 (15A)	Rc 3/4 (20A)



JIS Symbol 	Model :	SC6-06-15A.20A SC6S-06-15A.20A
	Maker :	KONAN
	File Name :	SC6-06