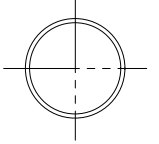
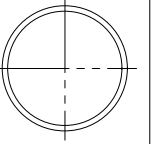
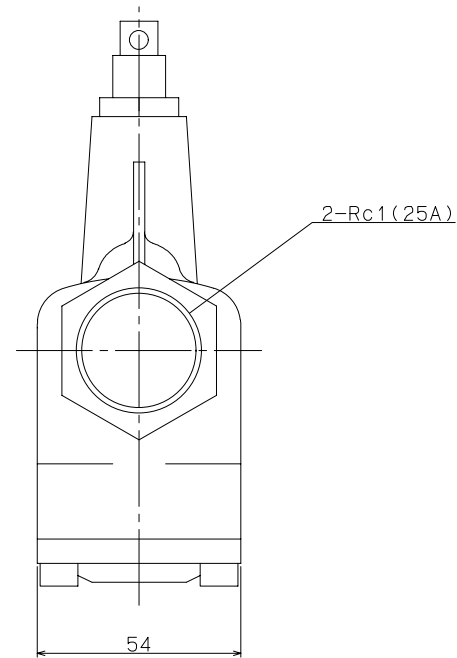
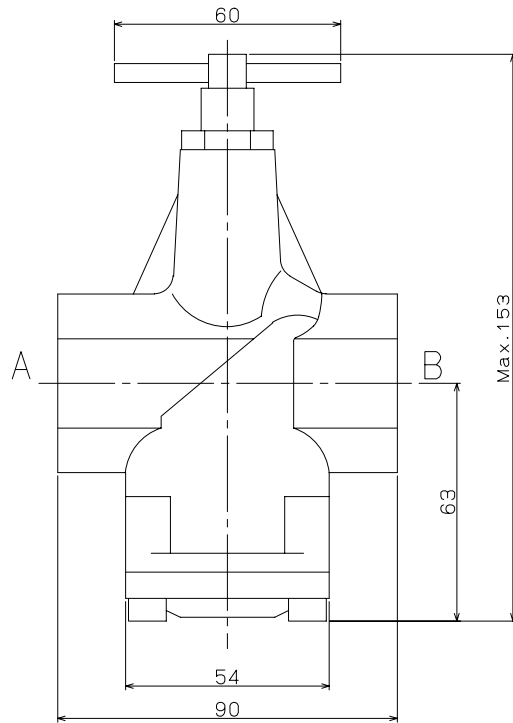
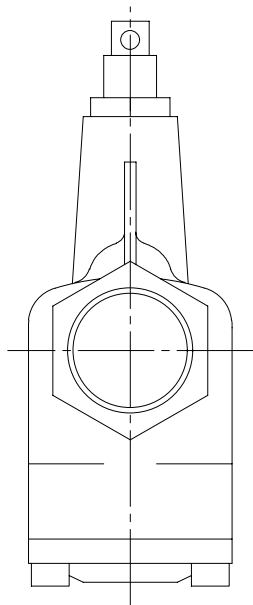
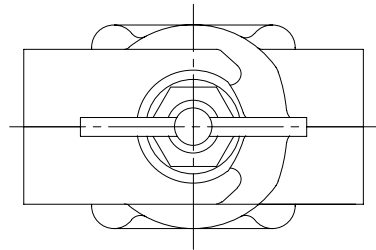



Port Size	
Rc3/4(20A)	Rc1(25A)
	



JIS Symbol 	Model :	SC6-08-20A.25A SC6S-08-20A.25A
	Maker :	KONAN
	File Name :	SC6-08