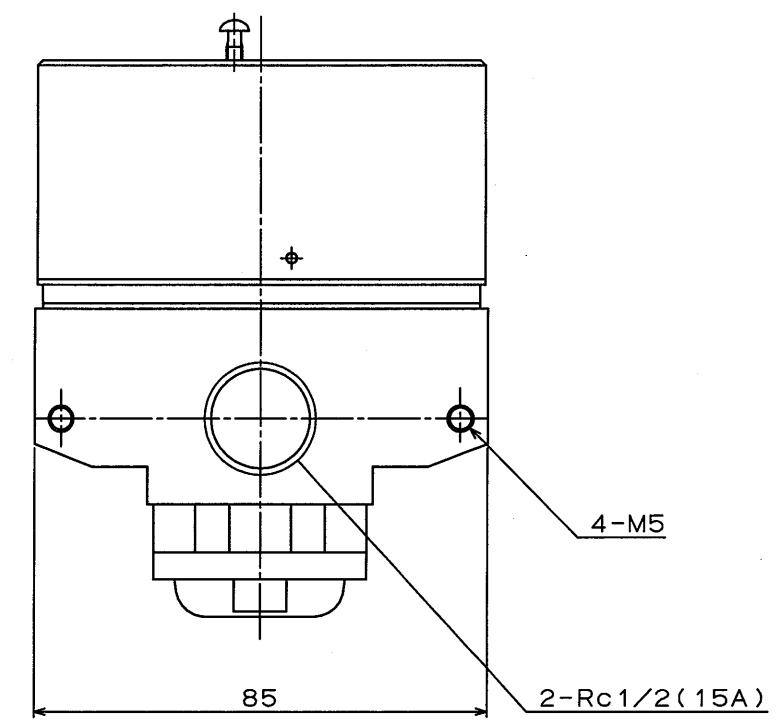
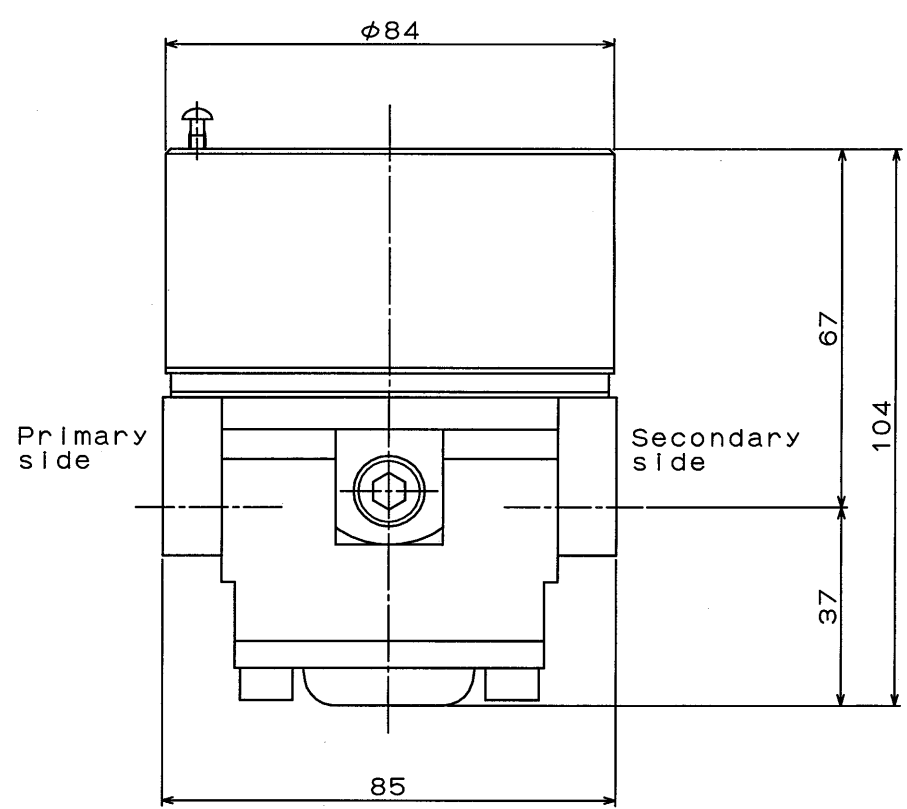
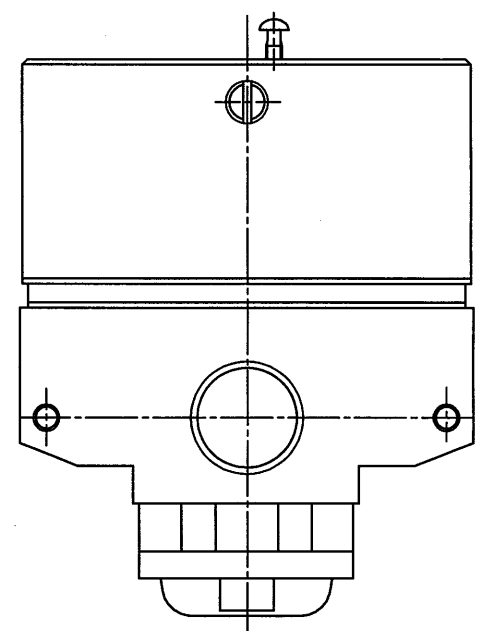
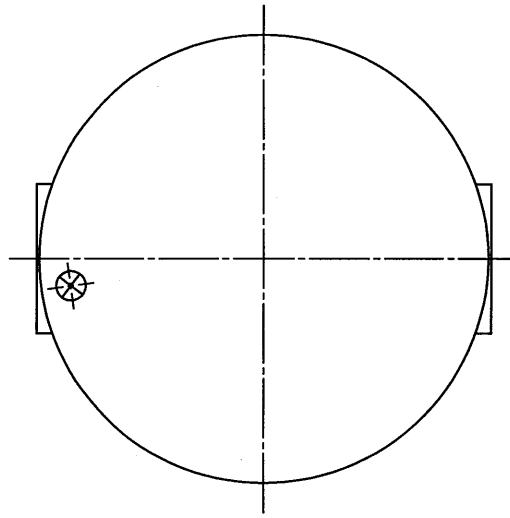


Port Size	
Rc3/8 (10A)	Rc1/2 (15A)



JIS Symbol

Model:	SSV2-04-10A SSV2-04-15A
Maker:	KONAN
File Name:	SSV2-04