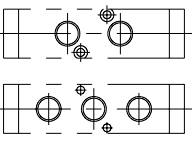
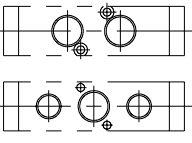
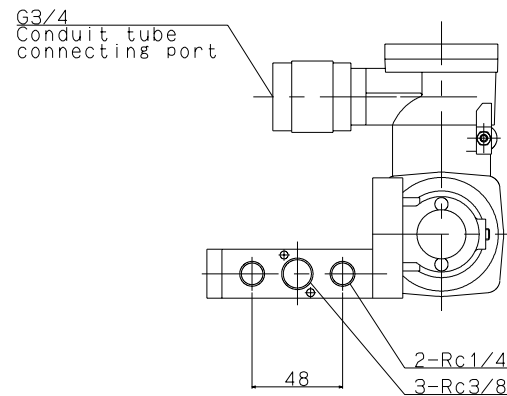
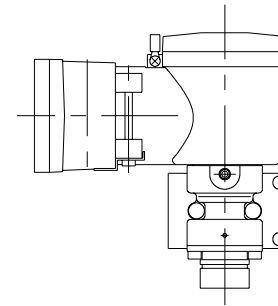
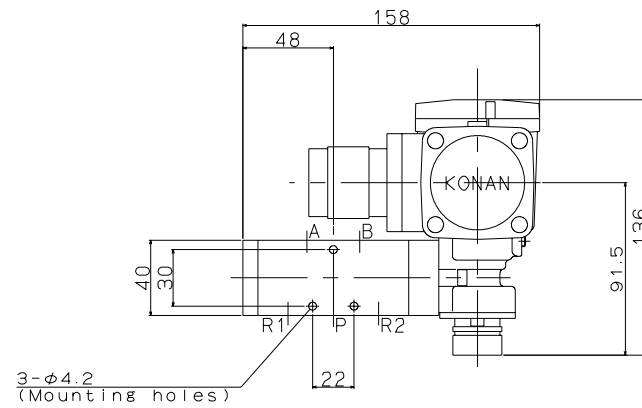
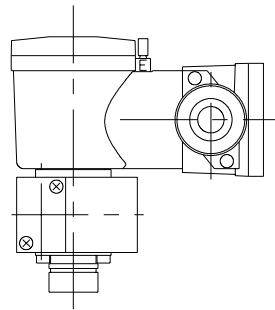
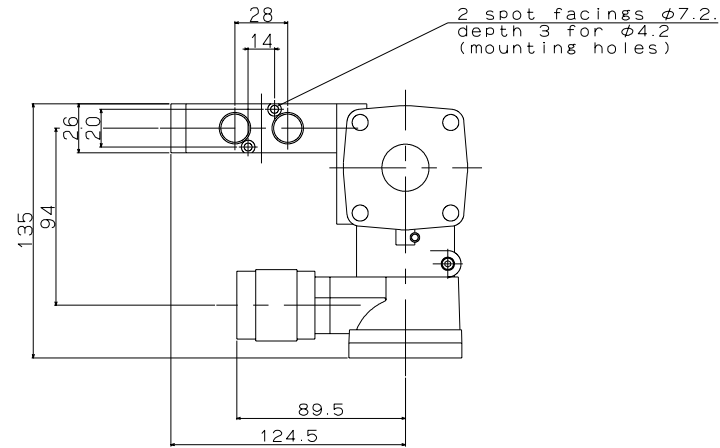
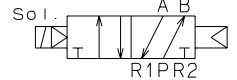


Port size
202: Rc1/4 (8A)

203: Rc3/8 (10A)




	Model :	453S202C-E2K 453S203C-E2K
	Maker :	KONAN
	File Name :	453S203C-E2K