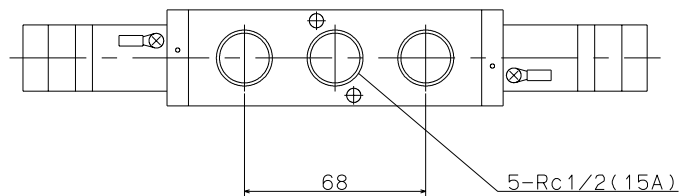
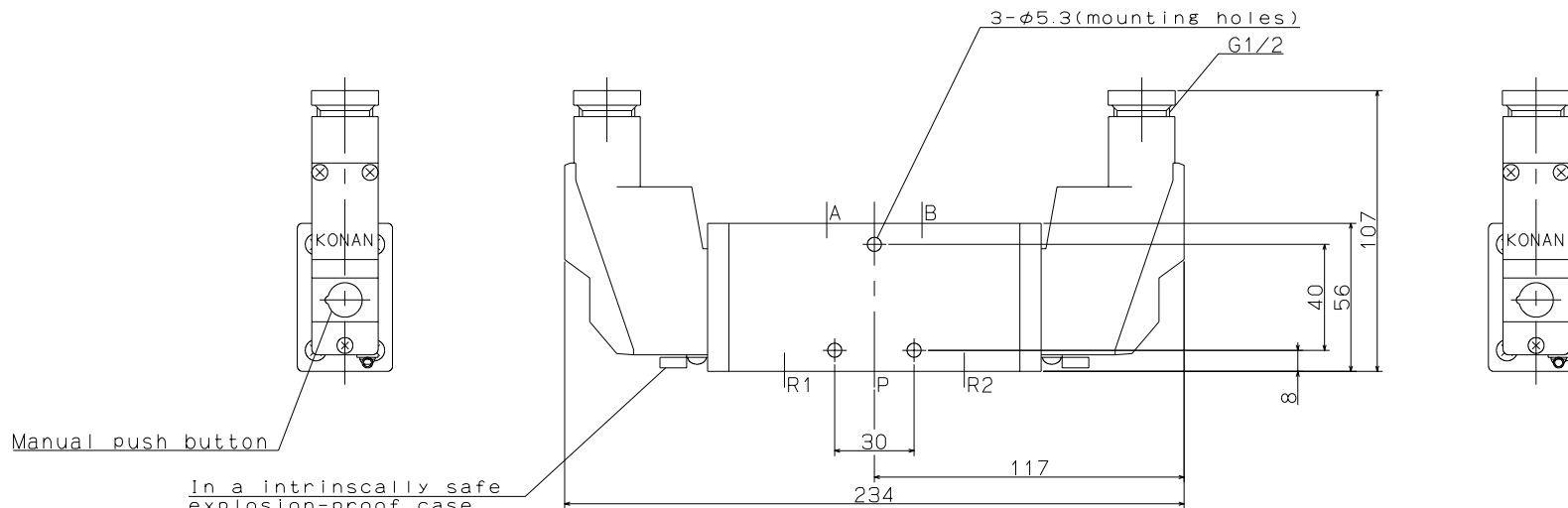


Port size
403: Rc3/8(10A)
404: Rc1/2(15A)



JIS Symbol	
Model:	454D403C-J 454D404C-J 454D403G-Yi 454D403C-Yi 454D404G-Yi 454D404C-Yi 454D403M-Yi 454D403F-Yi 454D404M-Yi 454D404F-Yi
Maker:	KONAN
File Name:	454D404C-J