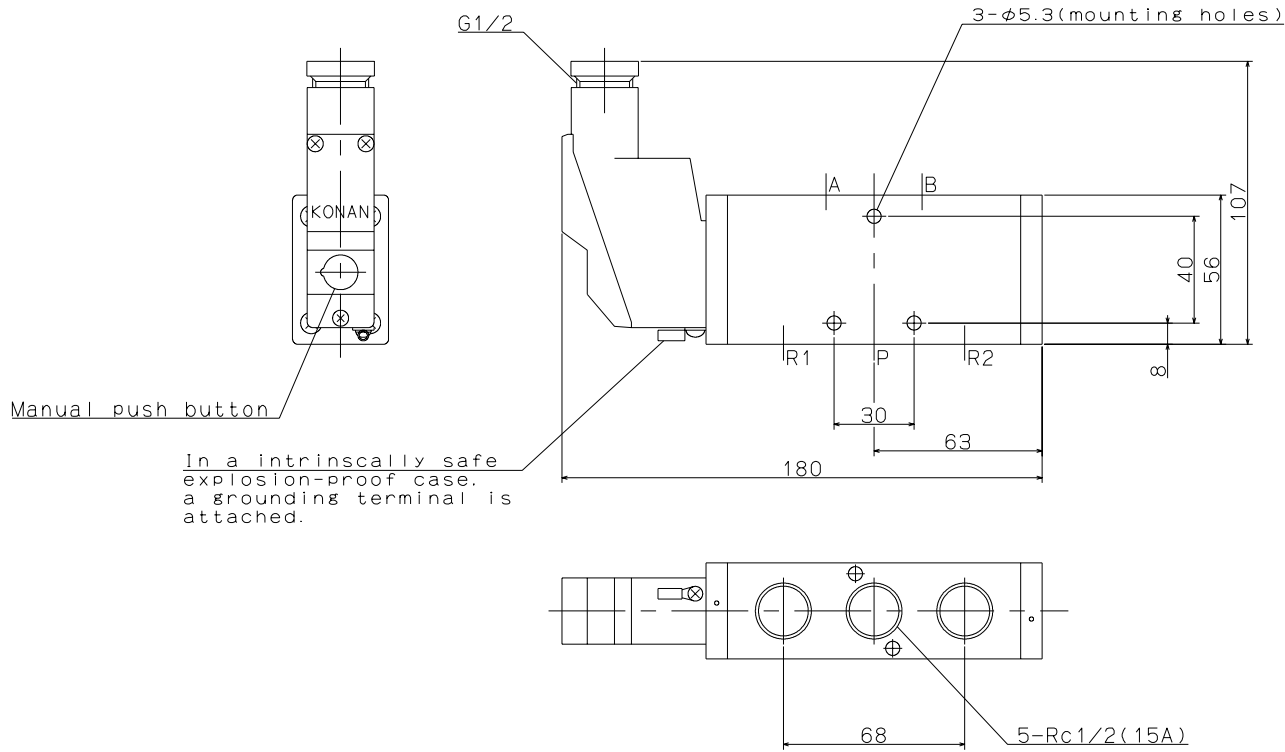


Port size
403: Rc3/8 (10A)
404: Rc1/2 (15A)



Manual push button

In a intrinscally safe explosion-proof case, a grounding terminal is attached.

JIS Symbol	
Model:	454S403C-J 454S404C-J 454S403G-Yi 454S403C-Yi 454S404G-Yi 454S404C-Yi 454S403M-Yi 454S403F-Yi 454S404M-Yi 454S404F-Yi
Maker:	KONAN
File Name:	454S404C-J