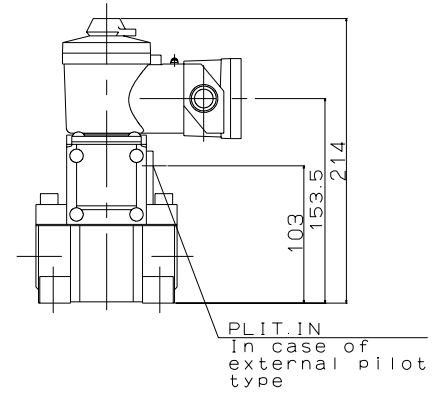
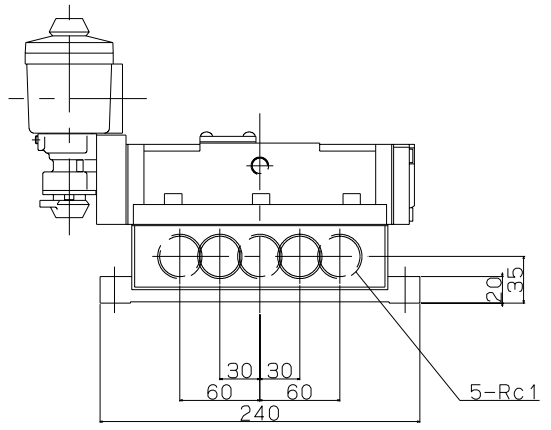
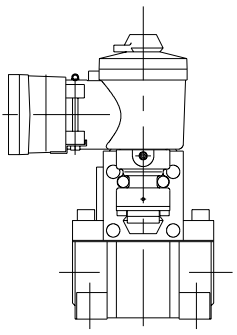
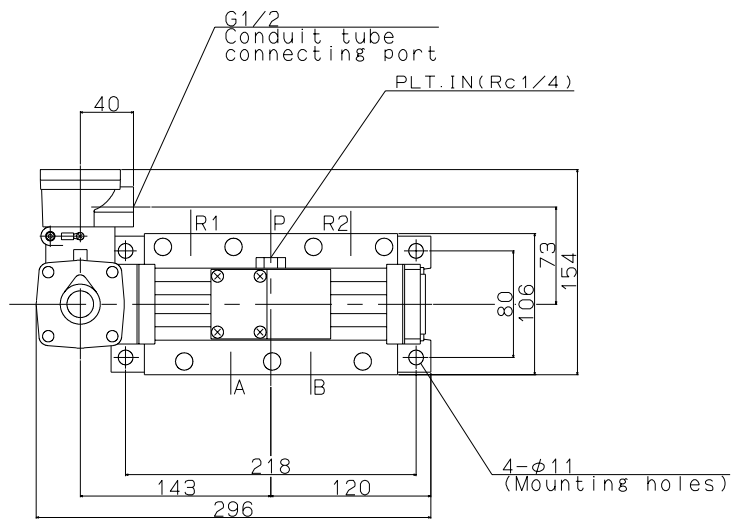


Port size 20A (Rc3/4)
25A (Rc1)



JIS Symbol 	Model:	MVD2N-08-E1K-20A.25A
	Maker:	KONAN
File Name:		MVD2N-08-E1K