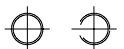

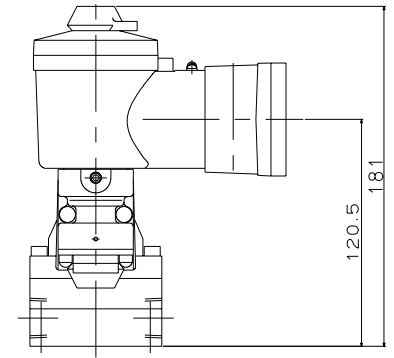
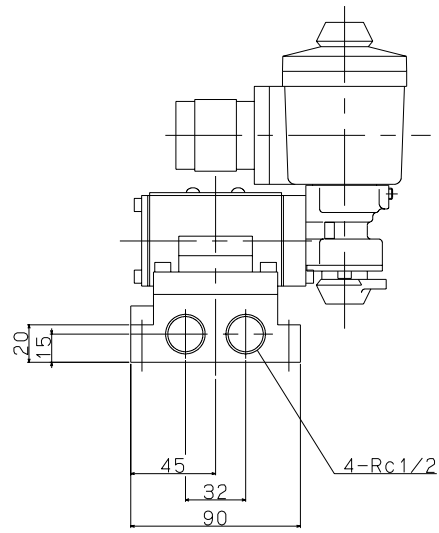
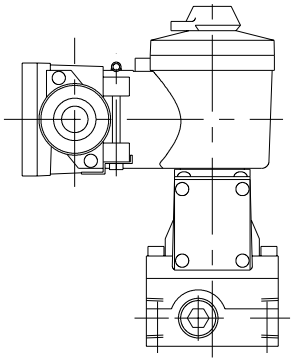
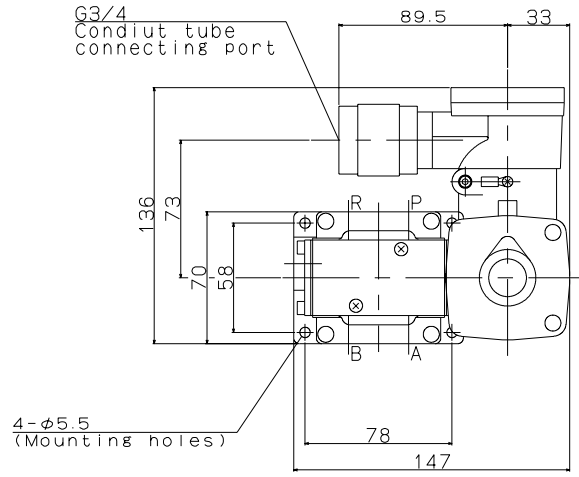
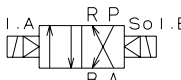


| | |
|------------|---|
| Port Size | |
| 10A: Rc3/8 |  |
| 15A: Rc1/2 |  |



| | | |
|---|------------|--------------------|
| JIS Symbol  | Model: | MVD802K-03-10A.15A |
| | Maker: | KONAN |
| | File Name: | MVD802K-03 |