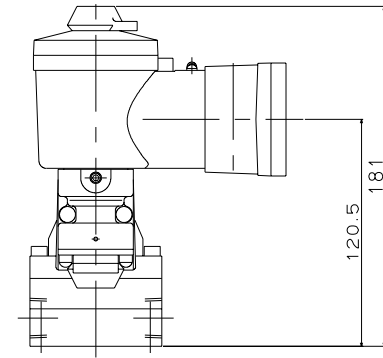
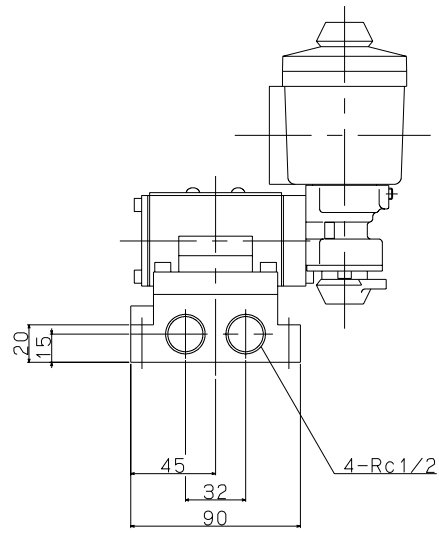
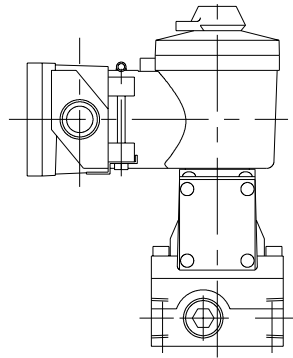
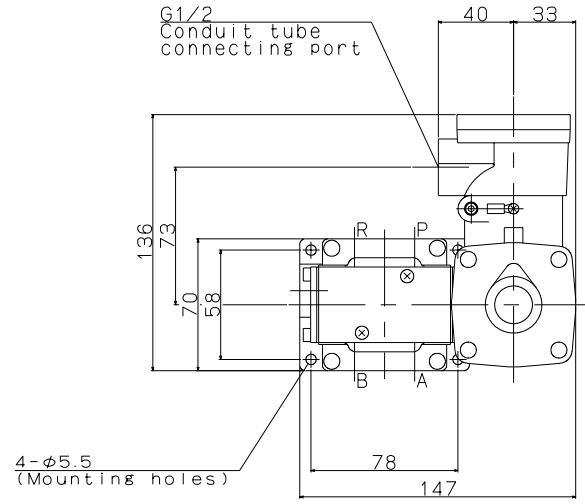


Port Size	
10A: Rc3/8	
15A: Rc1/2	



JIS Symbol 	Model:	MVD803K-03-10A.15A
	Maker:	KONAN
	File Name:	MVD803K-03