



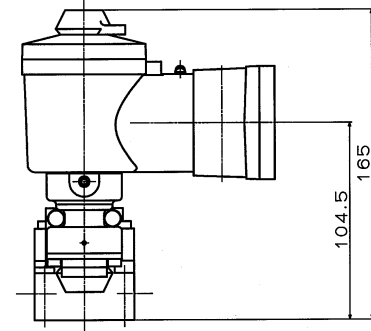
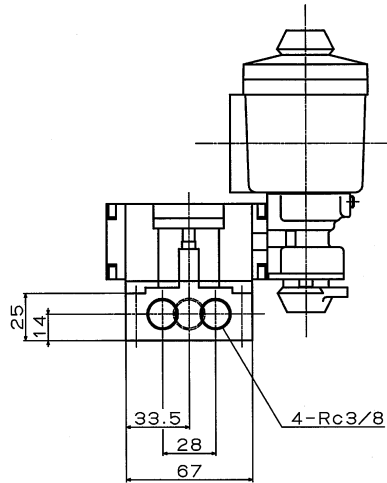
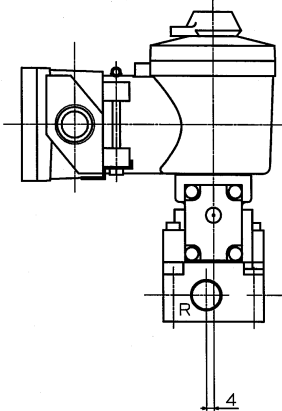
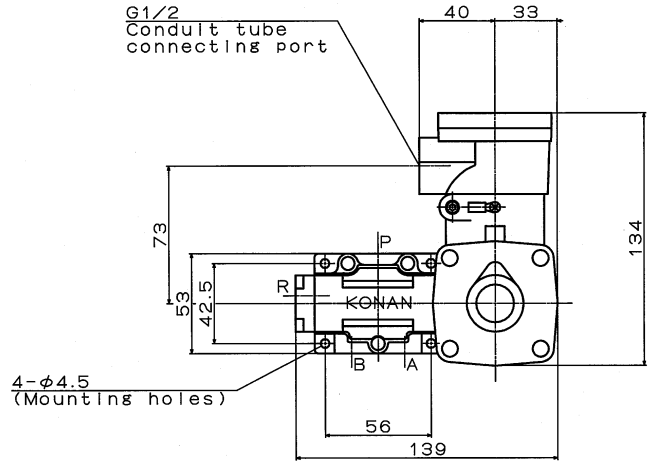
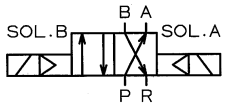


Port Size	
8A: Rc1/4	8N: 1/4NPT
	
10A: Rc3/8	10N: 3/8NPT
	



JIS Symbol	Model:
	MVD813K-02-8A.10A MVD813K-02-8N.10N
	Maker: KONAN
	File Name: MVD813K-02