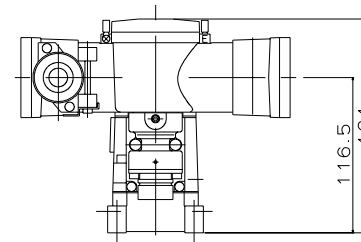
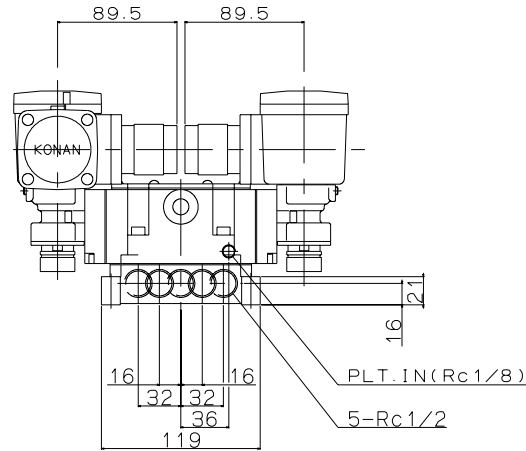
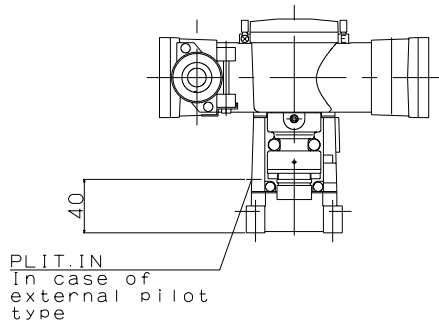
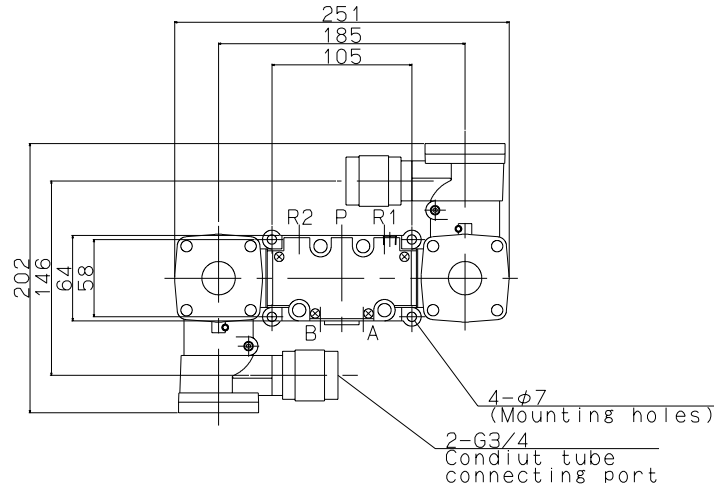


Port size
8A(Rc1/4)
10A(Rc3/8)
15A(Rc1/2)



JIS Symbol
MVPCF-03-E2K-**A
MVPEF-03-E2K-**A
MVPOF-03-E2K-**A
Model :
MVPCF-03-E2K-8A.10A.15A
MVPEF-03-E2K-8A.10A.15A
MVPOF-03-E2K-8A.10A.15A
Maker :
KONAN
File Name :
MVPCF-03-E2K