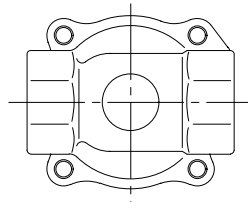
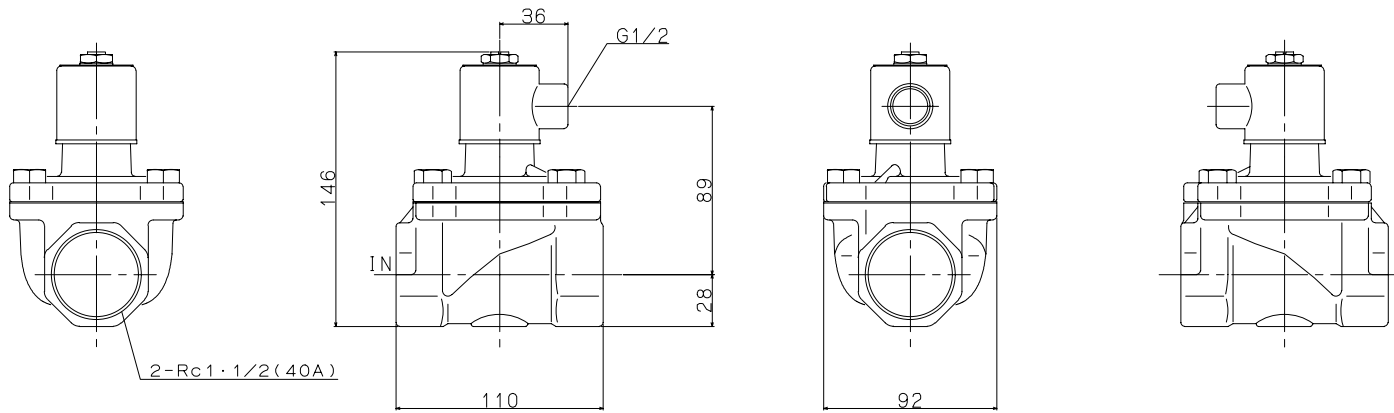
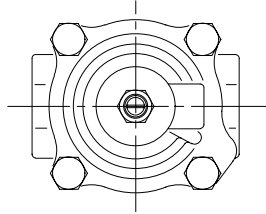


Port Size	
Rc1 · 1/4 (32A)	Rc1 · 1/2 (40A)



JIS Symbol	
Model :	
*S201A*****G** *S201A*****H** *S211A*****G** *S211A*****H**	
Maker :	
KONAN	
File Name :	
YS201AH	