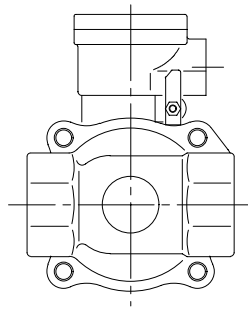
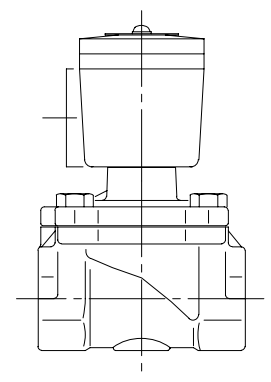
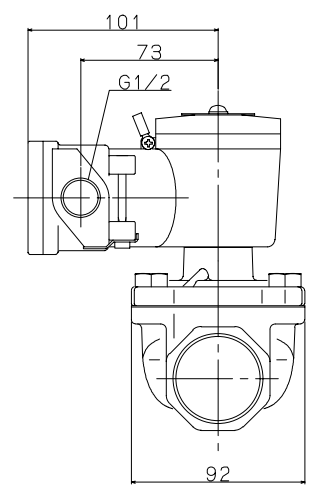
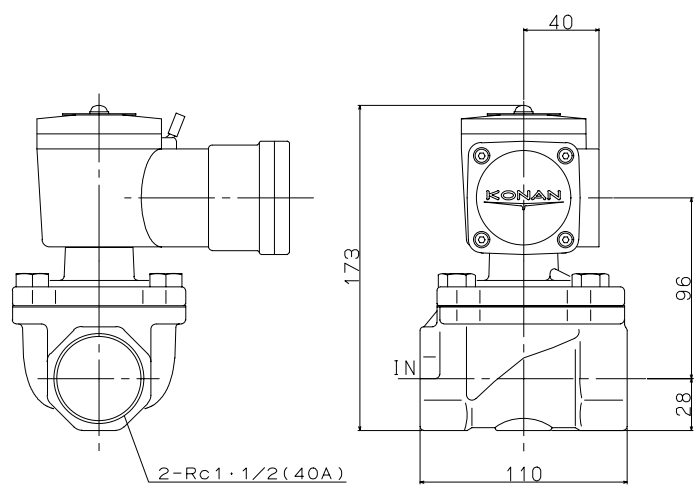


Port Size	
Rc 1 · 1/4 (32A)	Rc 1 · 1/2 (40A)



JIS Symbol	
NC	
NO	
Model:	
*S201J****G** *S201J****H** *S21*J****G** *S21*J****H**	
Maker:	KONAN
File Name:	YS201JH