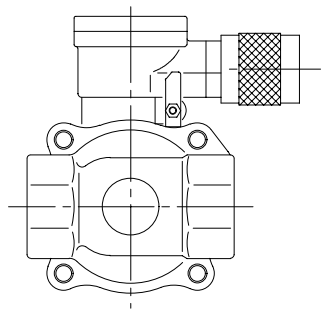
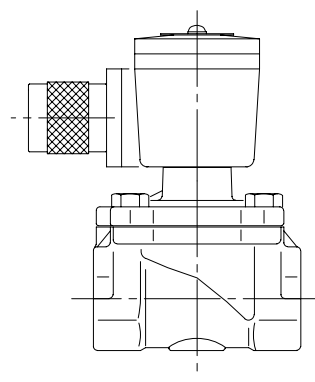
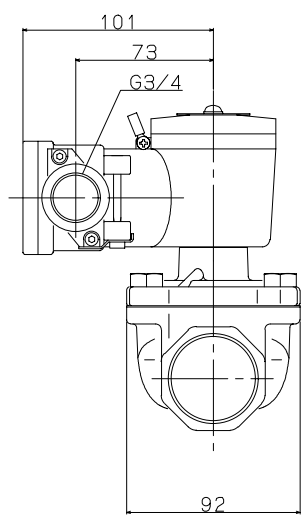
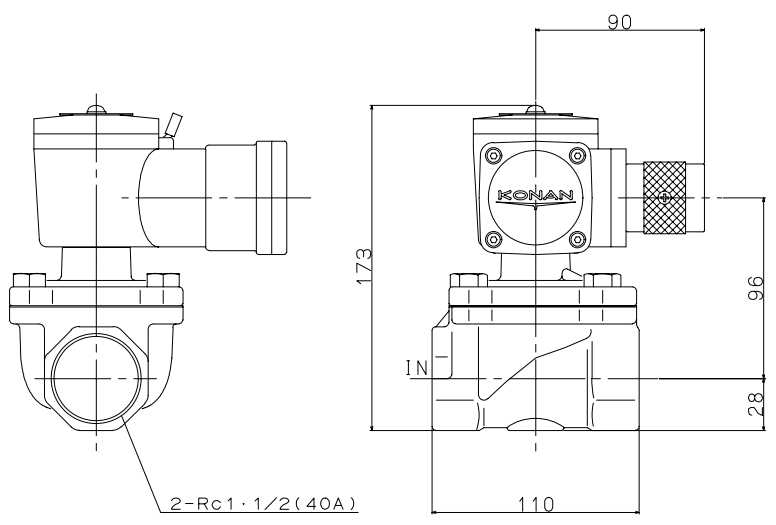
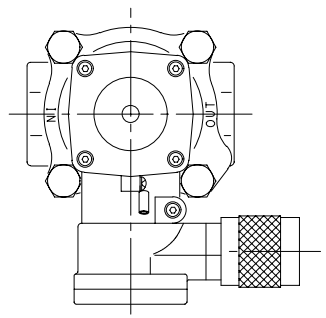


Port Size	
Rc1·1/4(32A)	Rc1·1/2(40A)



JIS Symbol	
NC	
NO	
Model : *S201K****G** *S201K****H** *S21*K****G** *S21*K****H**	
Maker :	KONAN
File Name :	YS201KH