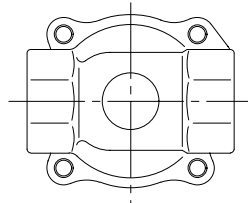
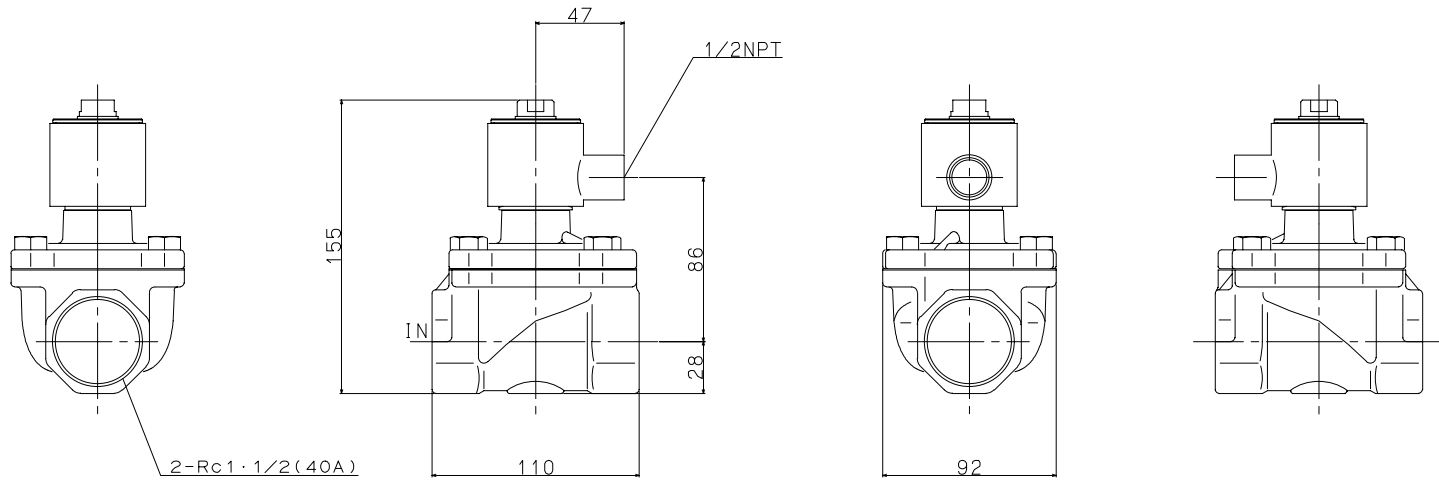
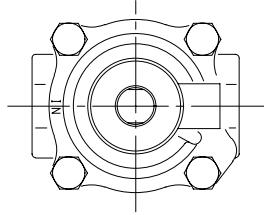


Port Size	
Rc1 · 1/4 (32A)	Rc1 · 1/2 (40A)



JIS Symbol	
Model :	<ul style="list-style-type: none"> *S201X*****G** *S201X*****H** *S211X*****G** *S211X*****H**
Maker :	KONAN
File Name :	YS201XH