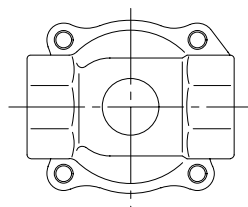
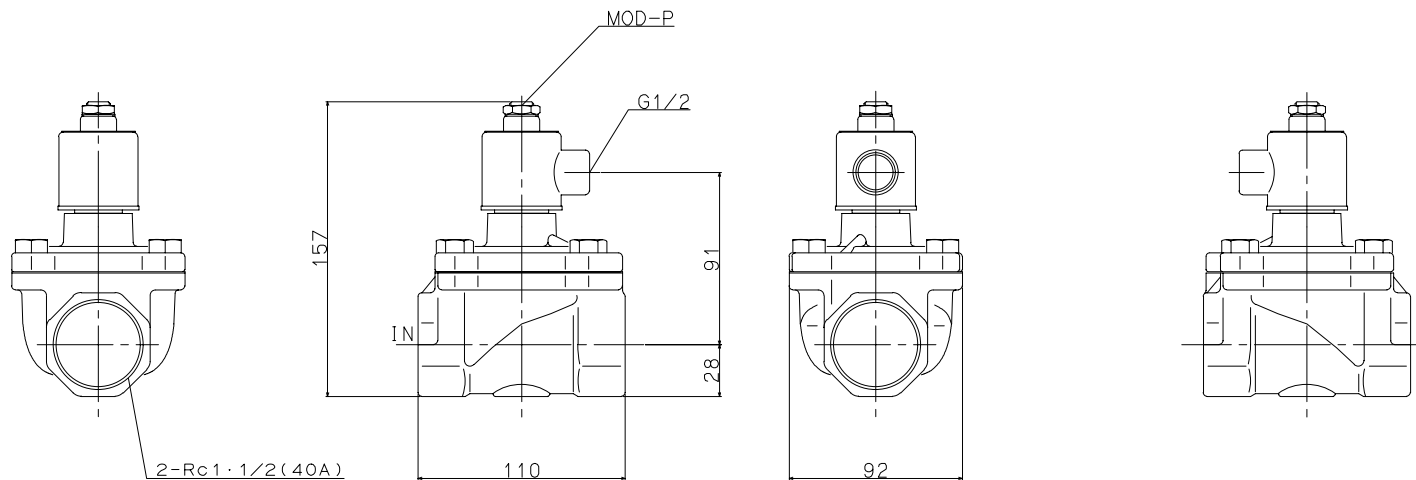


Port Size	
Rc1·1/4(32A)	Rc1·1/2(40A)
Manual Operating Device	
MOD-P:Manual Operating Device Pivot	
 MOD-P	



JIS Symbol	
 IN	
Model:	*S212A****G** *S212A****H**
Maker:	KONAN
File Name:	YS212AH