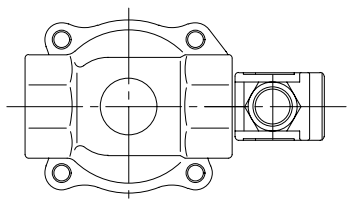
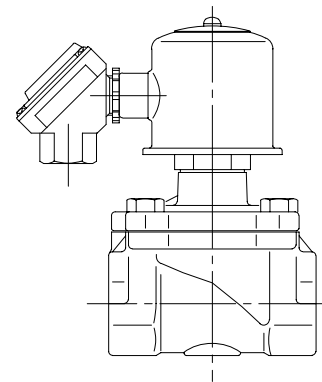
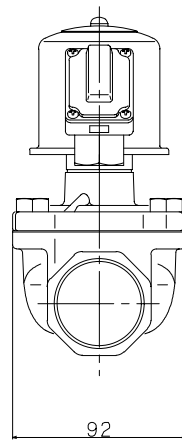
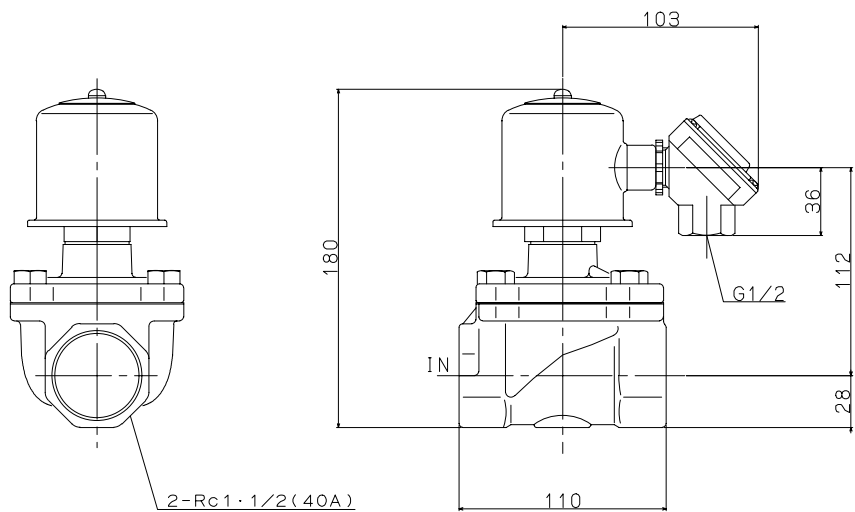


Port Size	
Rc1 · 1/4 (32A)	Rc1 · 1/2 (40A)



JIS Symbol	
Model:	*S271T****G** *S271T****H**
Maker:	KONAN
File Name:	YS271TH