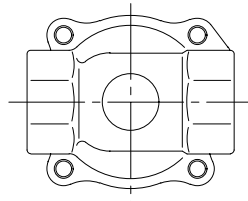
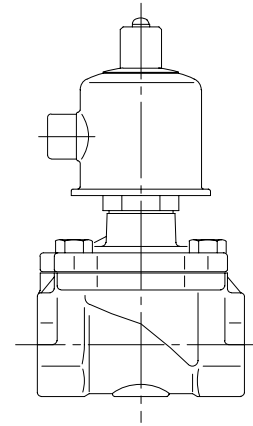
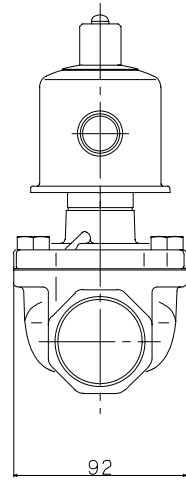
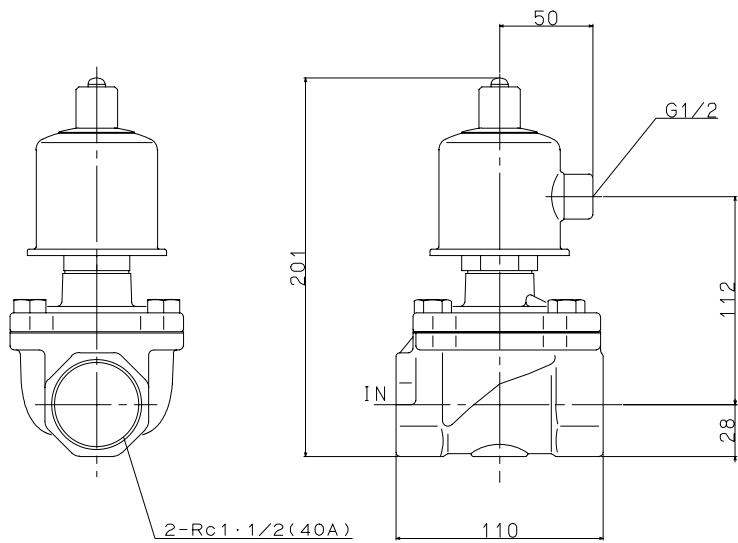
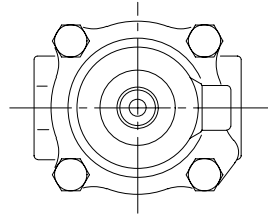


| Port Size | |
|--------------|--------------|
| Rc1·1/4(32A) | Rc1·1/2(40A) |
| | |



| | |
|------------|--------------------------------|
| JIS Symbol | |
| | |
| Model: | *S272A****G** *S272A****H** |
| Maker: | KONAN |
| File Name: | YS272AH |