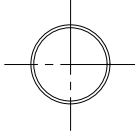
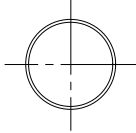
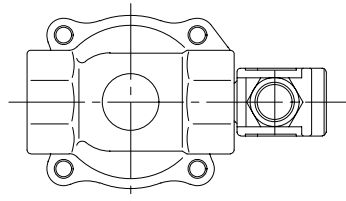
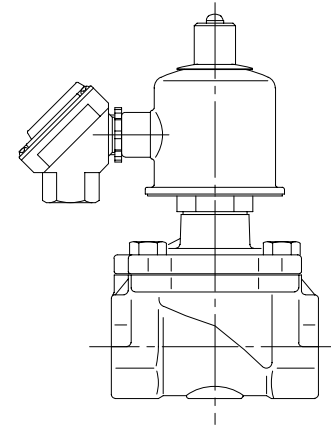
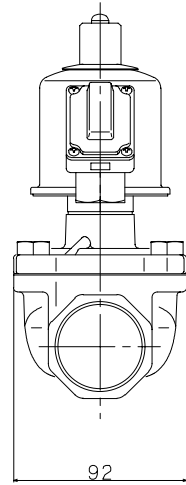
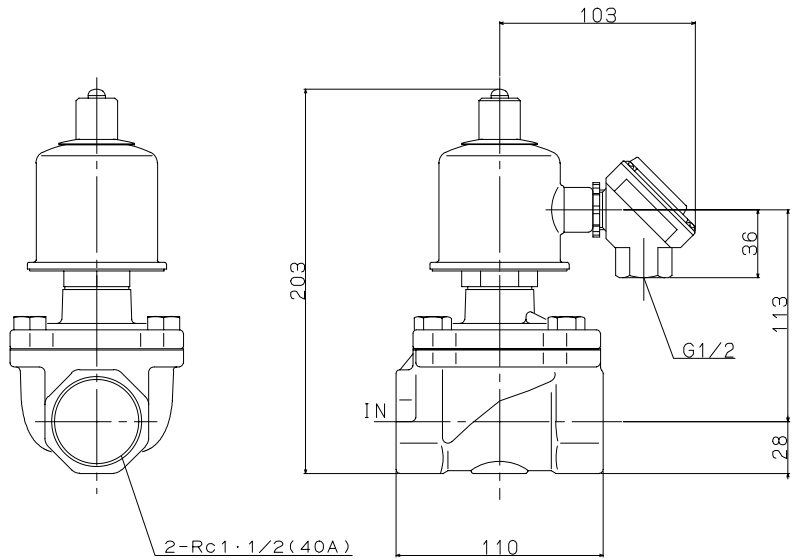
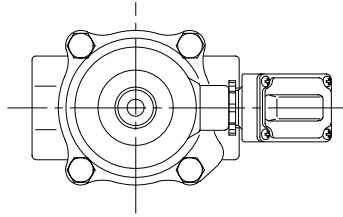



Port Size	
Rc1·1/4(32A)	Rc1·1/2(40A)
	



JIS Symbol	
	
Model :	*S272G****G** *S272G****H**
Maker :	KONAN
File Name :	YS272GH