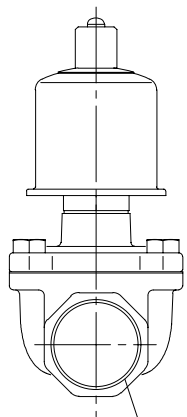
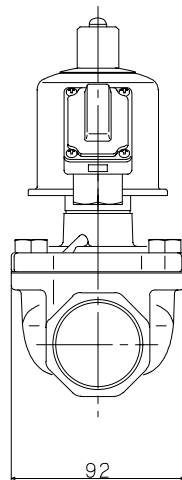
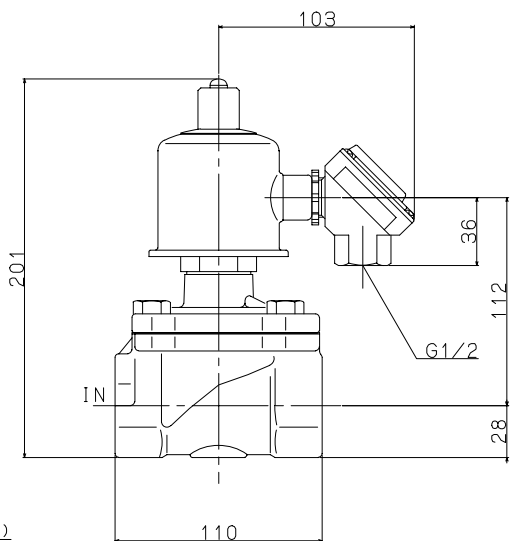


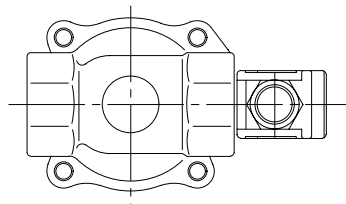
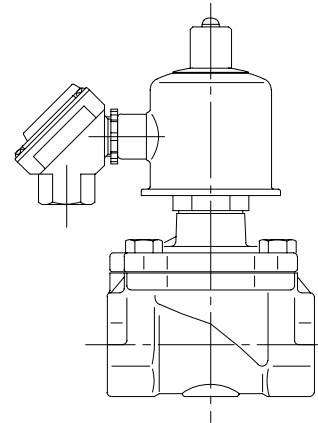
Port Size	
Rc1 · 1/4 (32A)	Rc1 · 1/2 (40A)



2-Rc1 · 1/2 (40A)



92



JIS Symbol	
Model:	*S272T****G** *S272T****H**
Maker:	KONAN
File Name:	YS272TH