

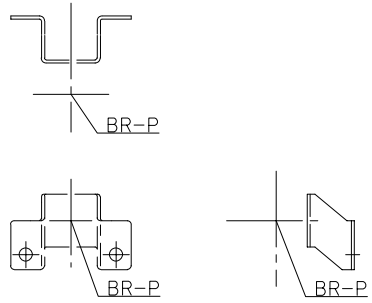
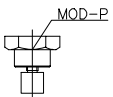
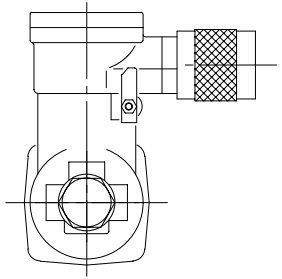
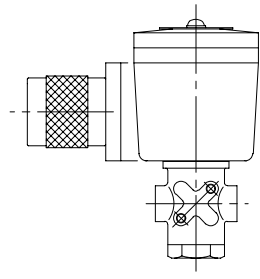
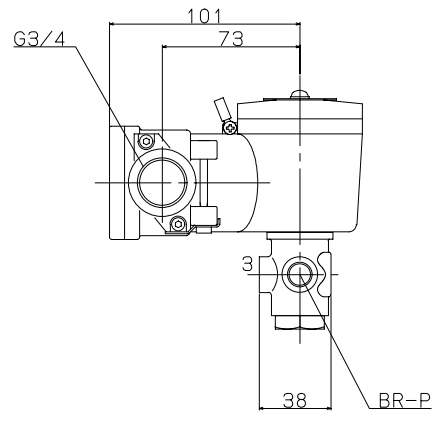
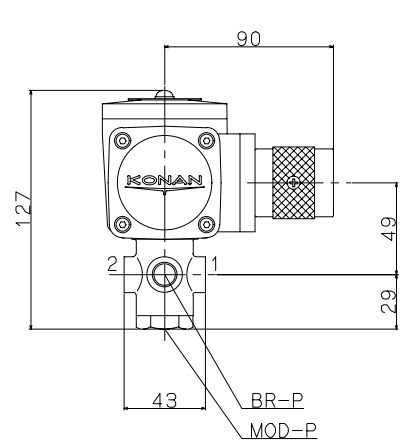
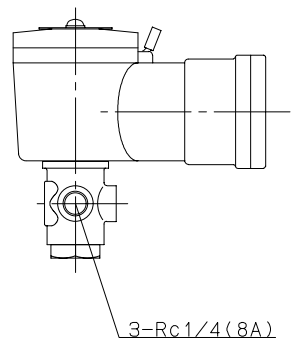
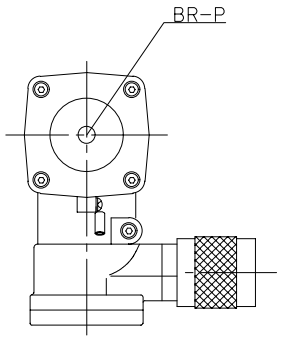
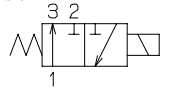
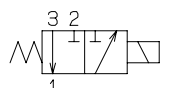
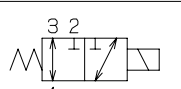


Port Size	
Rc1/8 (6A)	Rc1/4 (8A)
	
Bracket	
BR-P: Bracket Pivot	
	
Manual Operating Device	
MOD-P: Manual Operating Device Pivot	
	



JIS Symbol	
NC	
NO	
YN	
Model:	*S33*K****4A** *S33*K****4B**
Maker:	KONAN
File Name:	YS33-K4B