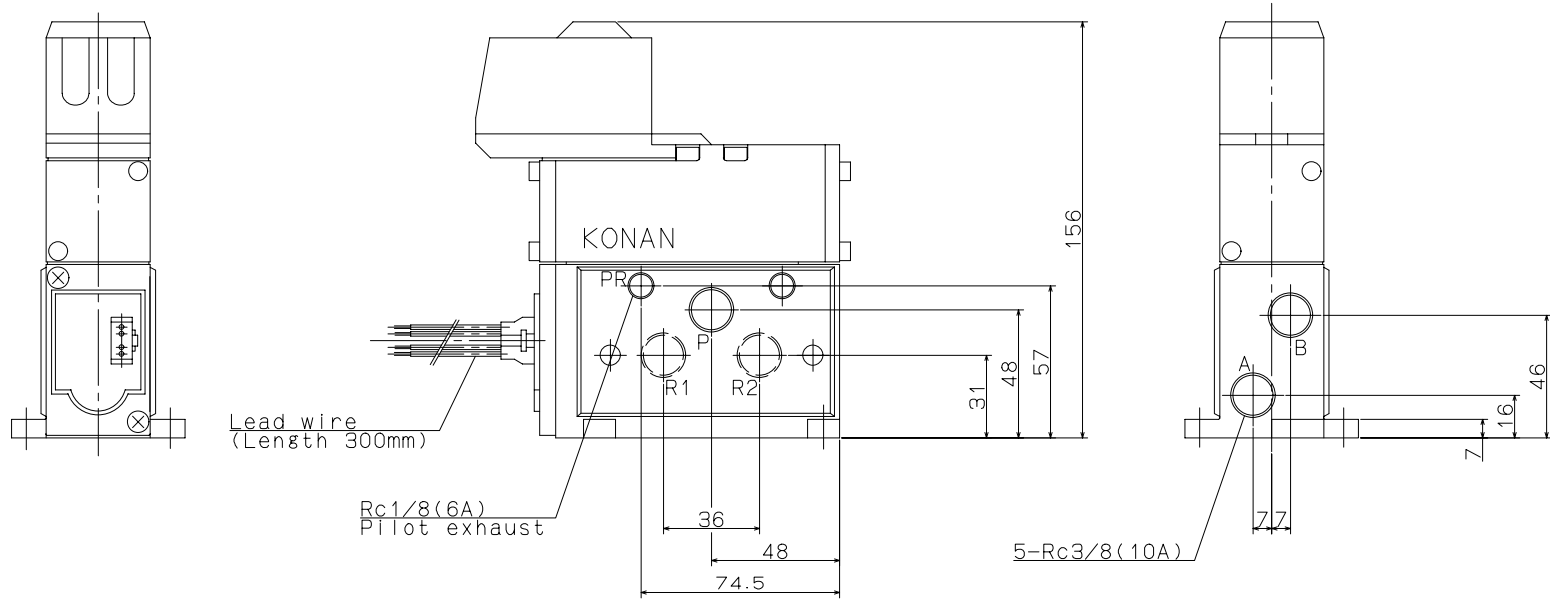


Port Size
302: Rc1/4 (8A)
303: Rc3/8 (10A)



JIS Symbol 414D,416D Type 		Model : 414D302C-F 414D303C-F 414H302C-F 414H303C-F 414I302C-F 414I303C-F 416D302C-F 416D303C-F 414J302C-F 414J303C-F
414H Type 		
414I Type 		
414J Type 		
Maker : KONAN		File Name : 414D303C-F