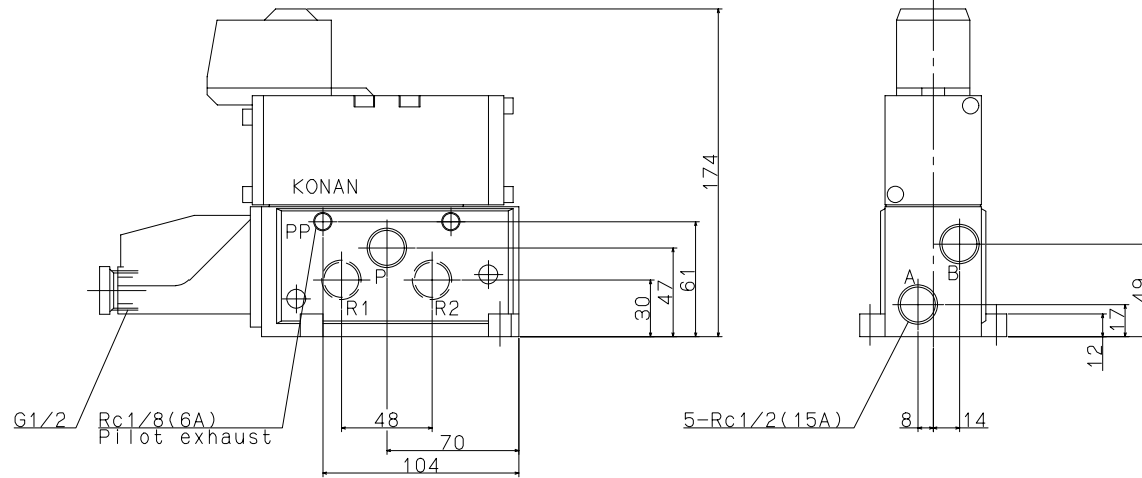
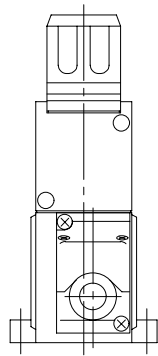
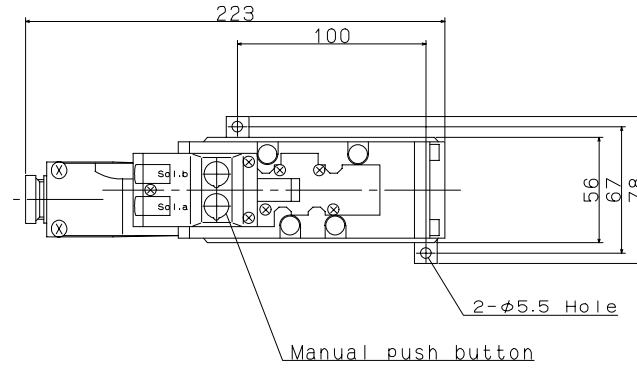


Port Size	
603: Rc3/8 (10A)	
604: Rc1/2 (15A)	



JIS Symbol		Model:
414D Type	414I Type	
		414D603C-ZA
		414D604C-ZA
		414H603C-ZA
		414H604C-ZA
		414I603C-ZA
		414I604C-ZA
		416D603C-ZA
		416D604C-ZA
		414J603C-ZA
		414J604C-ZA
414H Type	414J Type	Maker: KONAN
		File Name: 414D604C-ZA