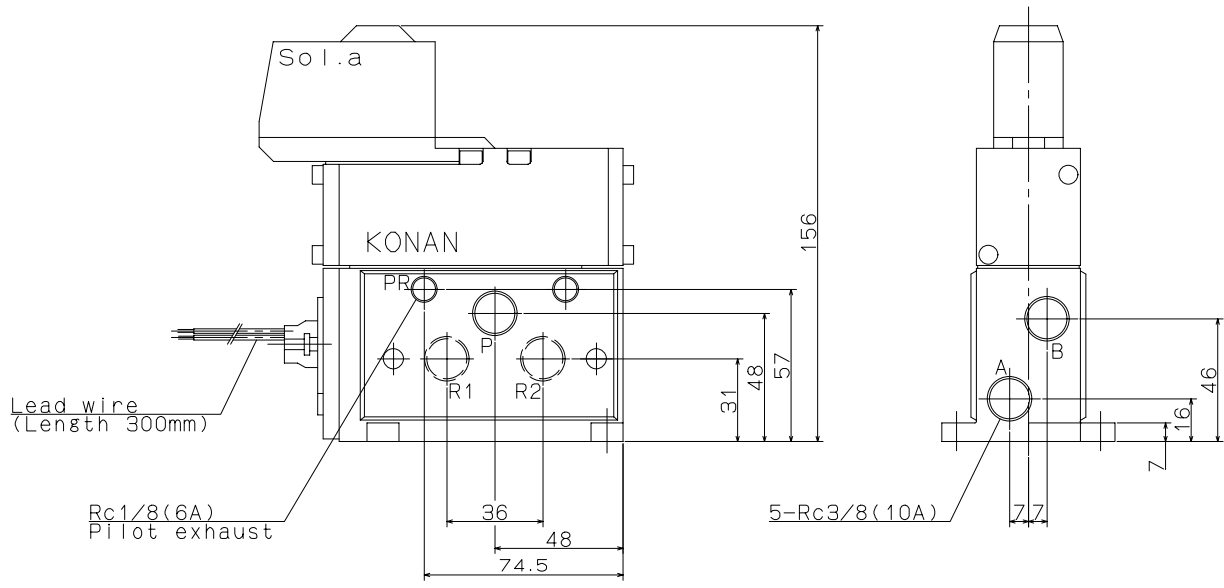
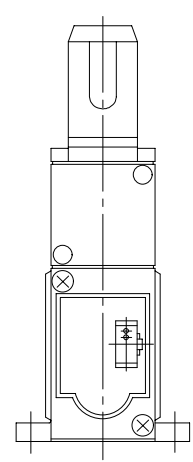
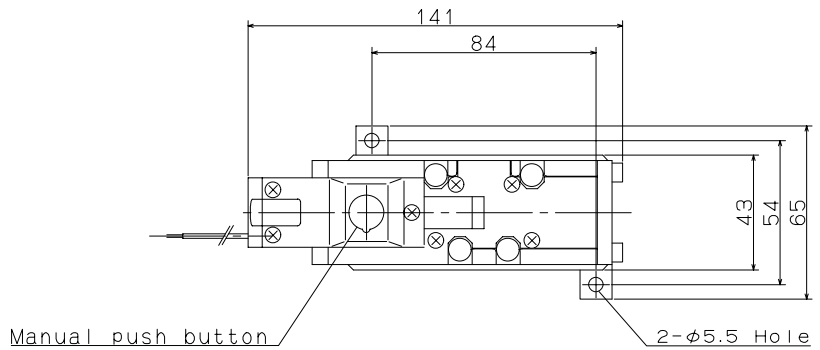


Port Size
302: Rc 1/4 (8A)
303: Rc 3/8 (10A)



JIS Symbol
Model:
416S302E-F 414S302C-F 416S303E-F 414S303C-F
Maker:
KONAN
File Name:
414S303C-F