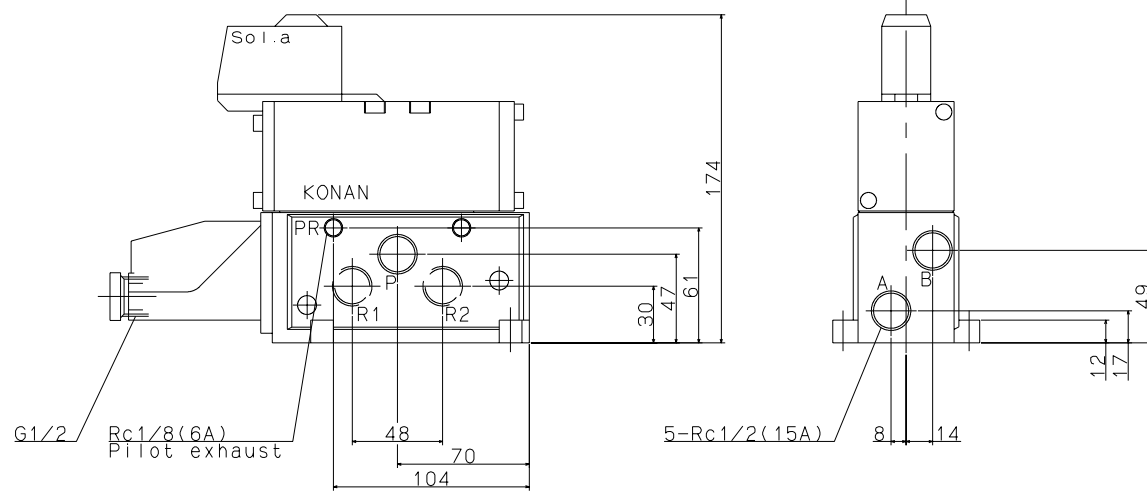
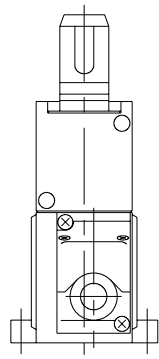
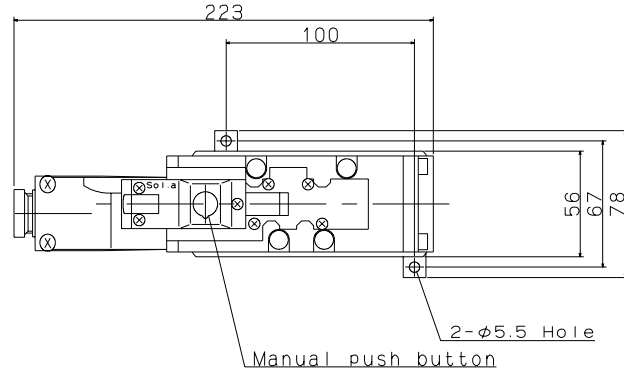


Port Size	
603: Rc3/8 (10A)	
604: Rc1/2 (15A)	



JIS Symbol	
Model :	
416S603E-ZA	414S603C-ZA
416S604E-ZA	414S604C-ZA
416S603F-YAi	414S603F-YAi
416S604F-YAi	414S604F-YAi
416S603G-YAi	414S603G-YAi
416S604G-YAi	414S604G-YAi
416S603M-YAi	414S603M-YAi
416S604M-YAi	414S604M-YAi
Maker :	
KONAN	
File Name :	
414S604C-ZA	