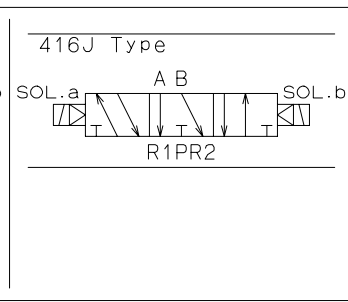
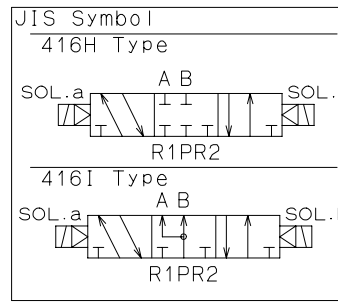
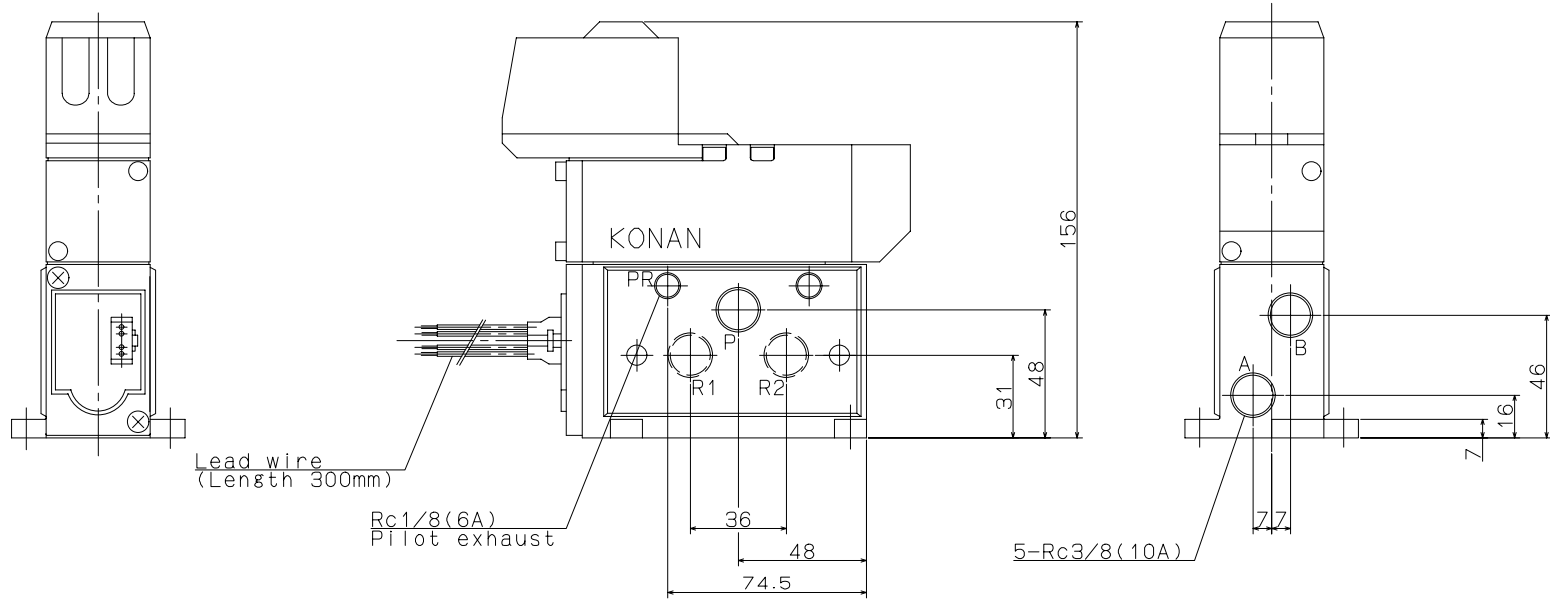


Port Size
302: Rc1/4 (8A)
303: Rc3/8 (10A)



Model:	416H302C-F 416H303C-F 416I302C-F 416I303C-F 416J302C-F 416J303C-F
Maker:	KONAN
File Name:	416H303C-F