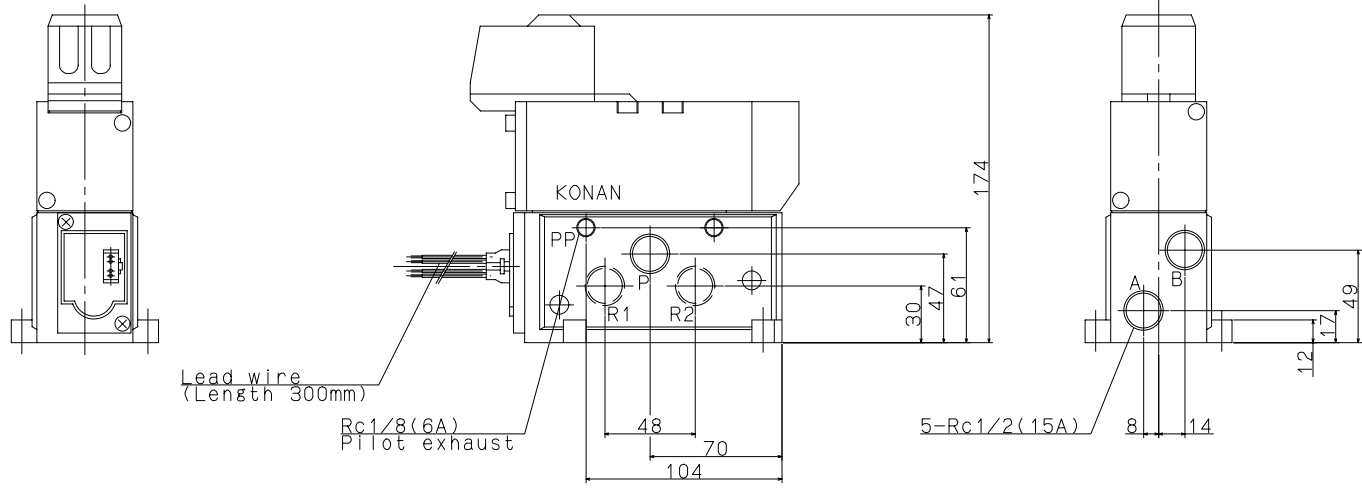
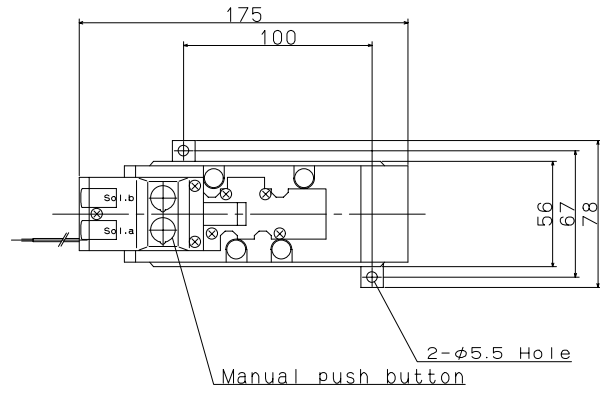
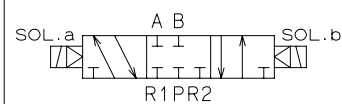


Port Size	
603: Rc3/8 (10A)	
604: Rc1/2 (15A)	

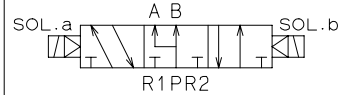


JIS Symbol

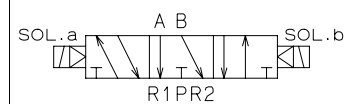
416H Type



416I Type



416J Type



Model :

- 416H603C-F
- 416H604C-F
- 416J603C-F
- 416J604C-F

Maker :

KONAN

File Name :

416H604C-F