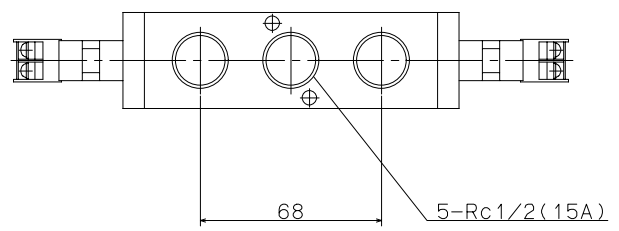
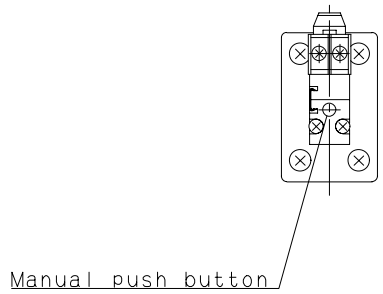
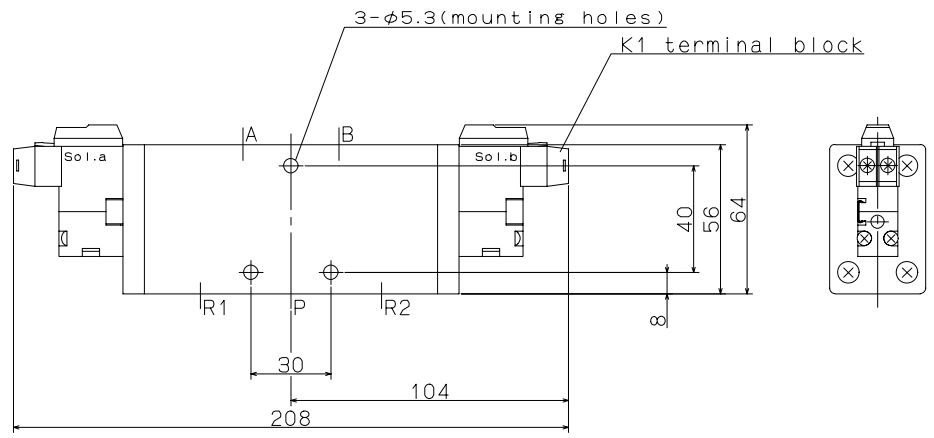
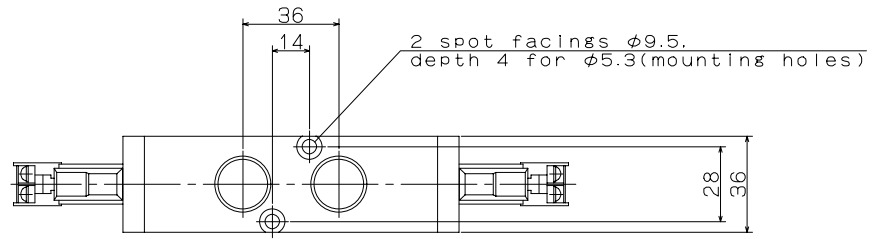


Port size
403: Rc3/8 (10A)
404: Rc1/2 (15A)



JIS Symbol	
Model:	454D403C-H 454D404C-H
Maker:	KONAN
File Name:	454D404C-H