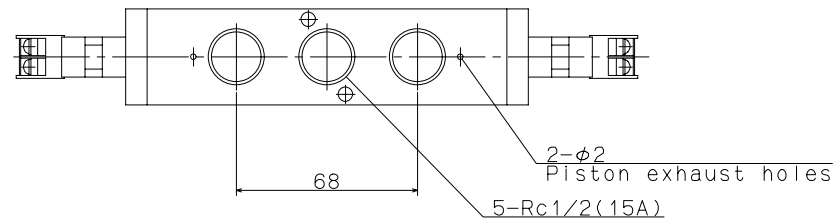
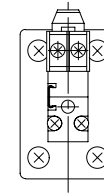
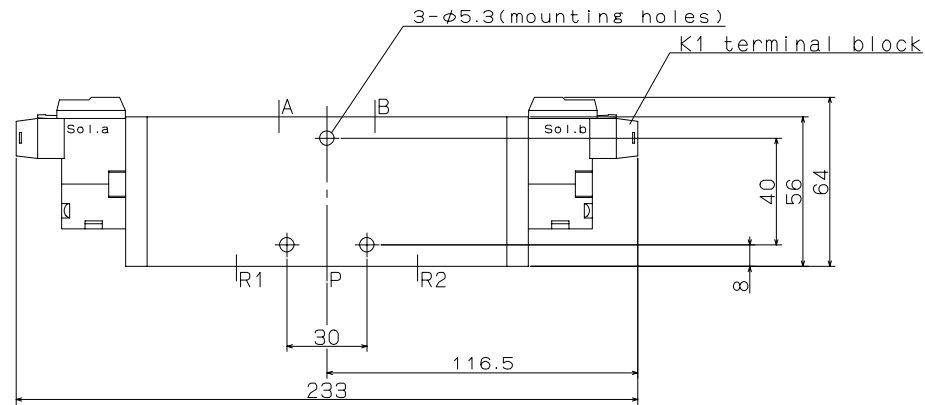
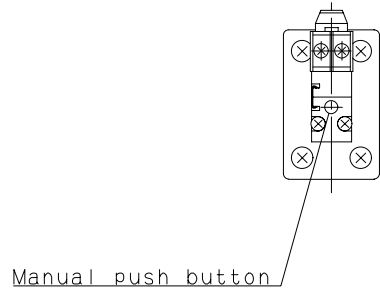


Port size
403: Rc3/8 (10A)
404: Rc1/2 (15A)



<p>JIS Symbol</p> <p>454H Type</p> <p>454I Type</p>	<p>454J Type</p>	Model:
		<p>454H403C-H</p> <p>454H404C-H</p> <p>454I403C-H</p> <p>454I404C-H</p> <p>454J403C-H</p> <p>454J404C-H</p>
		Maker: KONAN
		File Name: 454H404C-H