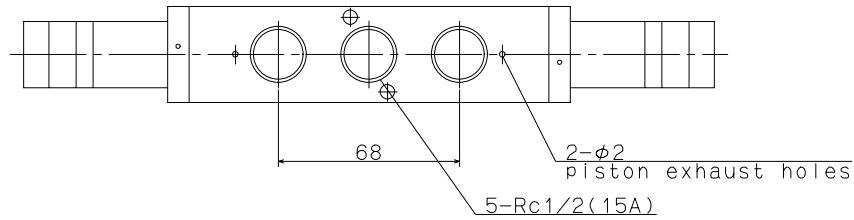
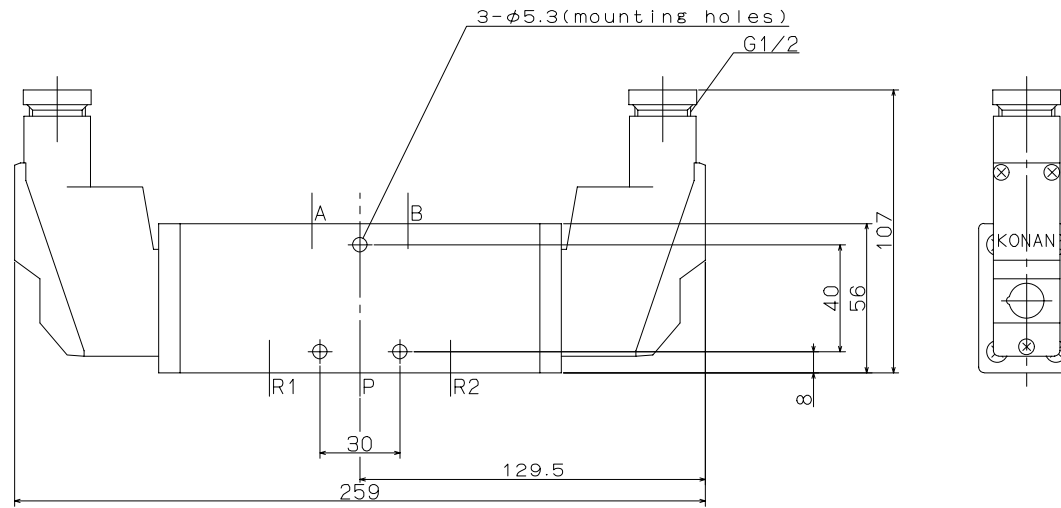
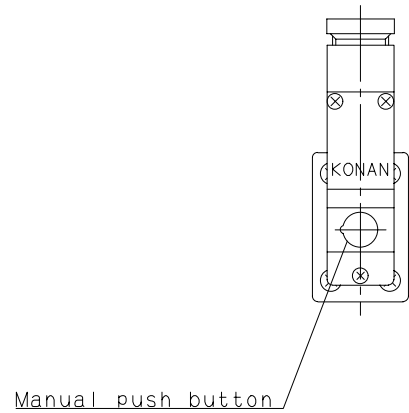
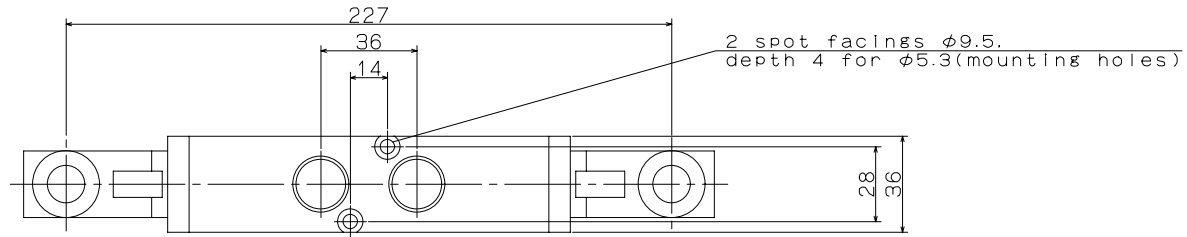


Port size
403: Rc3/8 (10A)
404: Rc1/2 (15A)



JIS Symbol	Model:
454H Type	454H403C-J
	454H404C-J
454I Type	454I403C-J
	454I404C-J
	454J403C-J
	454J404C-J
454J Type	Maker: KONAN
	File Name: 454H404C-J