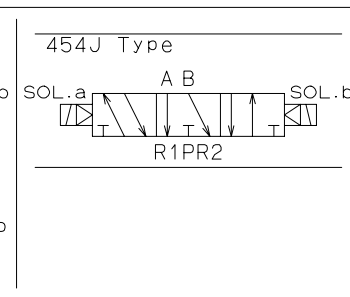
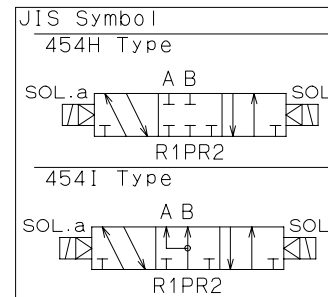
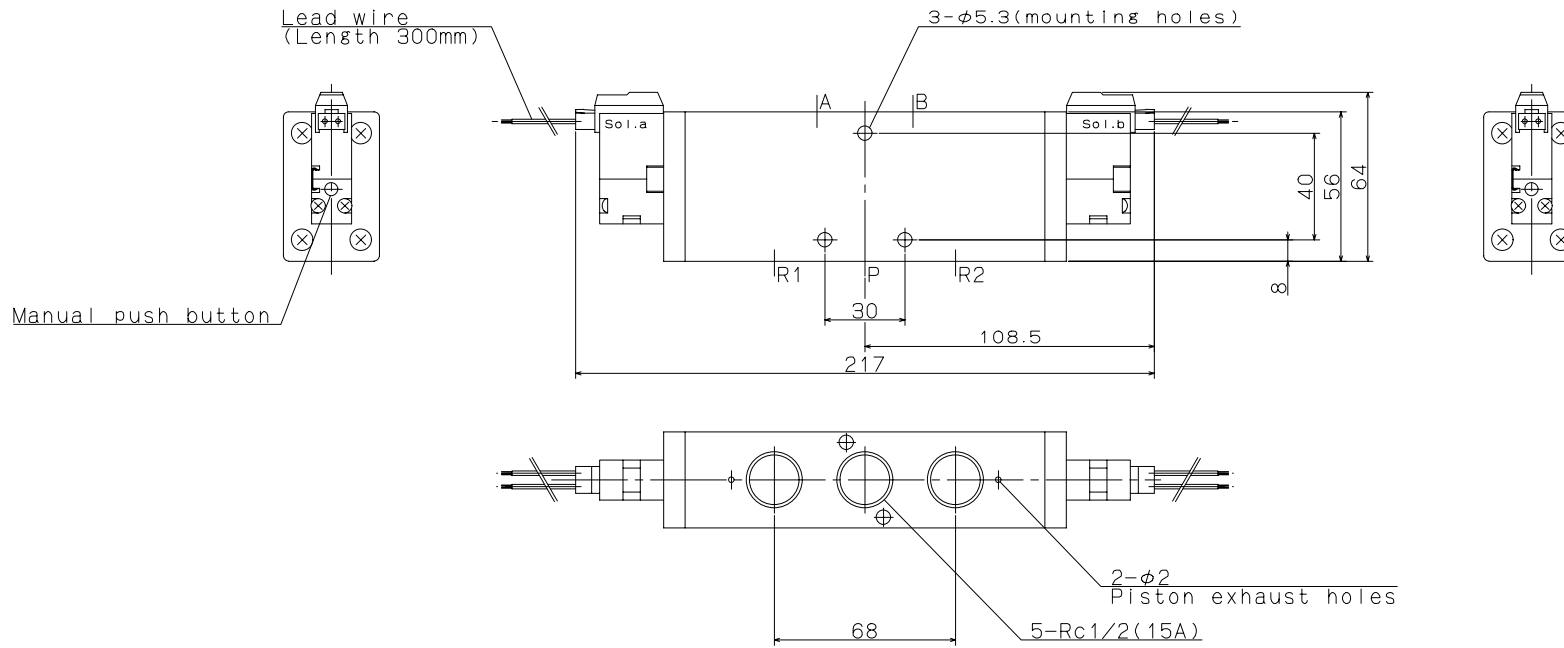


Port size 403: Rc3/8 (10A)	
404: Rc1/2 (15A)	



Model:	454H403C-M 454H404C-M 454I403C-M 454I404C-M 454J403C-M 454J404C-M
Maker:	KONAN
File Name:	454H404C-M