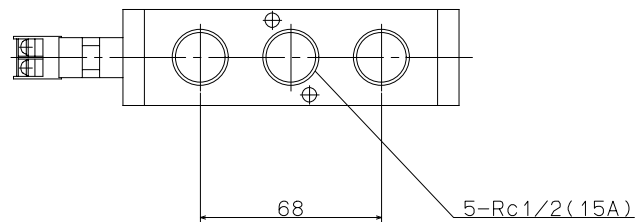
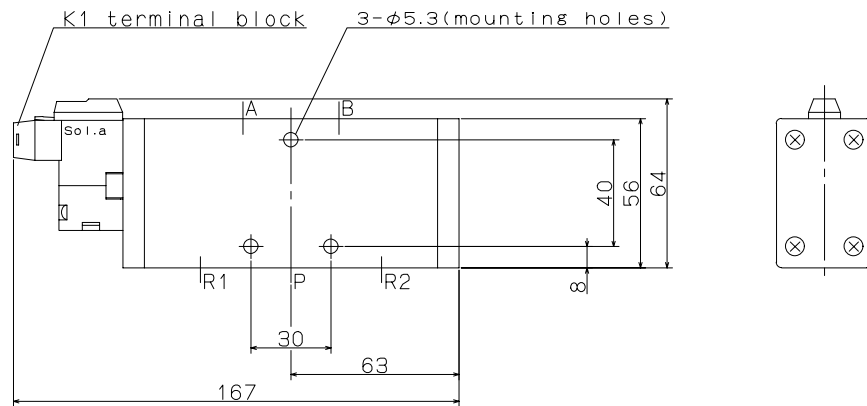
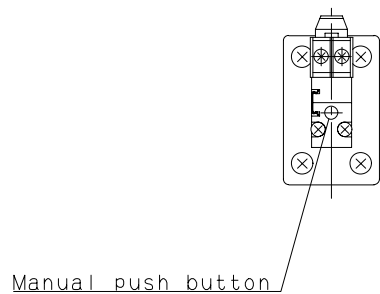


| |
|------------------|
| Port size |
| 403: Rc3/8 (10A) |
| |
| 404: Rc1/2 (15A) |
| |



| | |
|------------|--------------------------|
| JIS Symbol | |
| | |
| Model: | 454S403C-H 454S404C-H |
| Maker: | KONAN |
| File Name: | 454S404C-H |