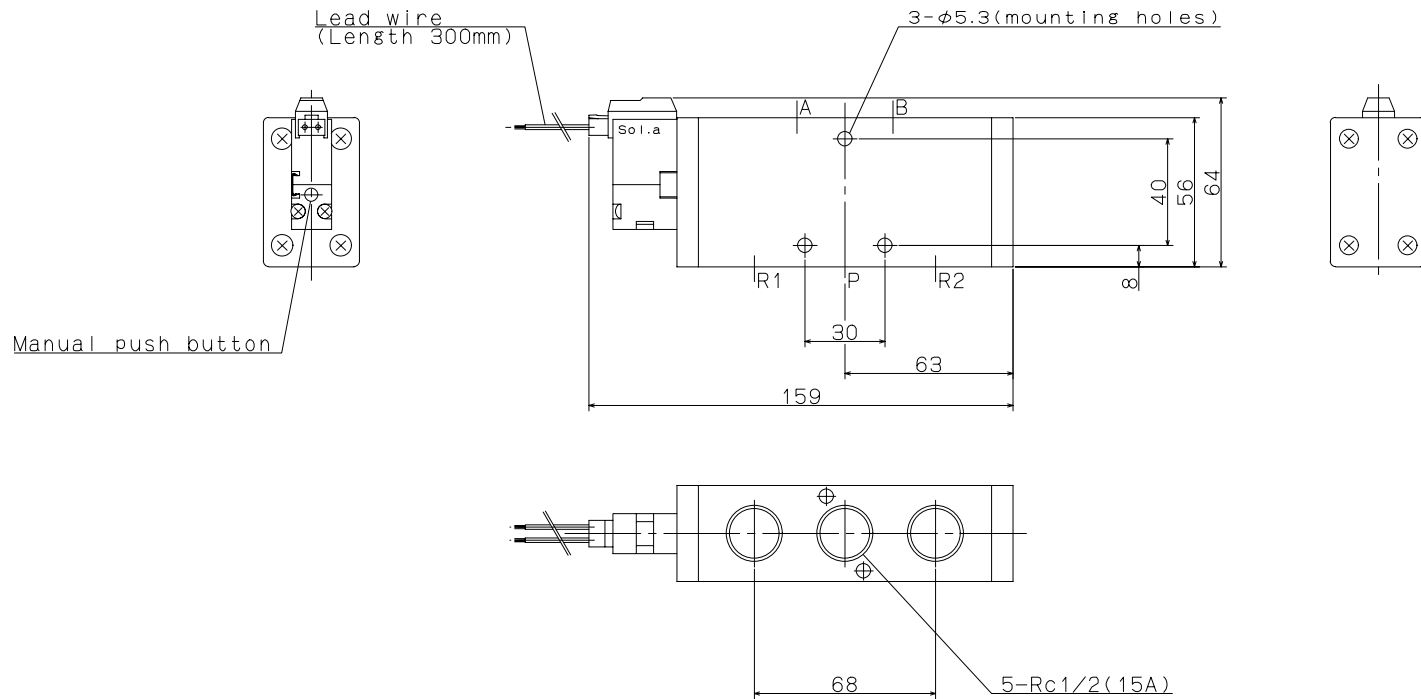


Port size
403: Rc3/8(10A)
404: Rc1/2(15A)



JIS Symbol	
Model:	454S403C-M 454S404C-M
Maker:	KONAN
File Name:	454S404C-M