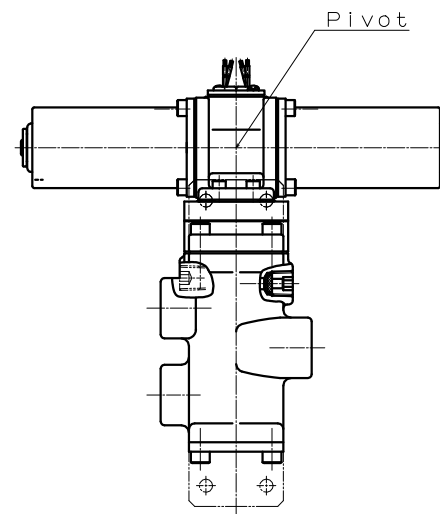
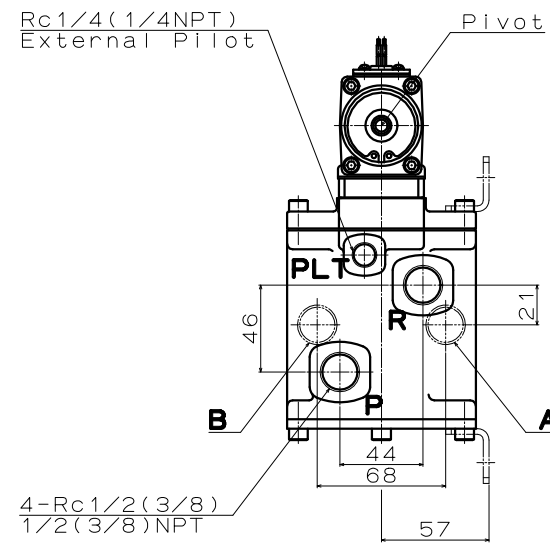
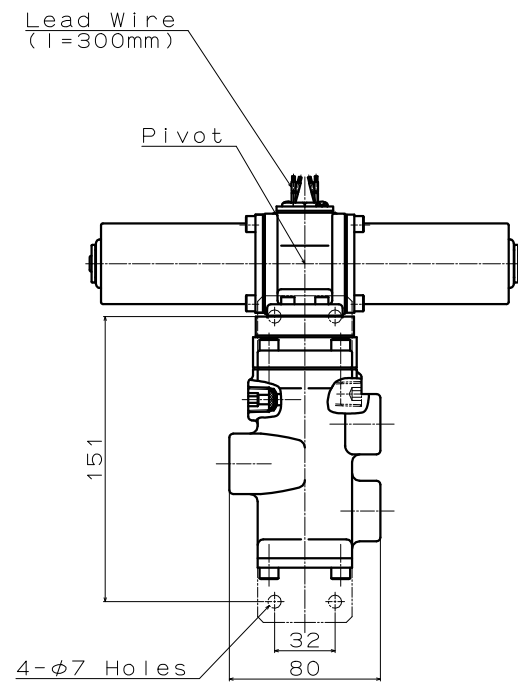
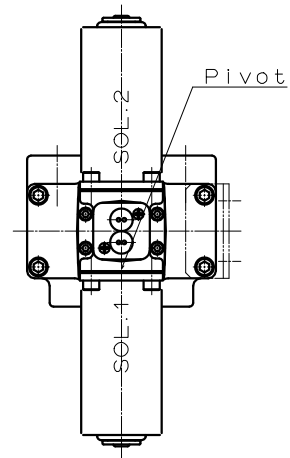


Connecting Method		
Type 'DT' 'DN'	Type 'TBF1'	Type 'TBN2' 'TBN2Z' 'TBN2N' 'TBN2ZN'

Port Size Rc3/8 (10A)
Rc1/2 (15A)



JIS Symbol
MVW344N
Model:
MVW344N-04-D-10A-DC MVW344N-04-D-15A-DC
Maker:
KONAN
File Name:
MVW344N-04-D-DC