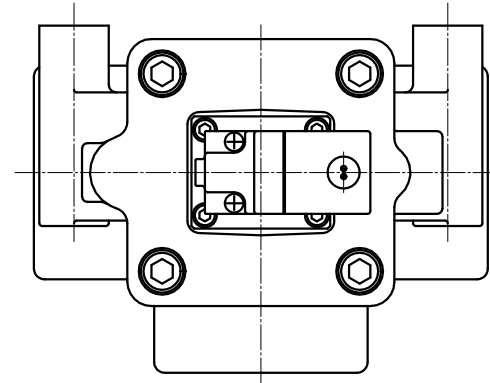


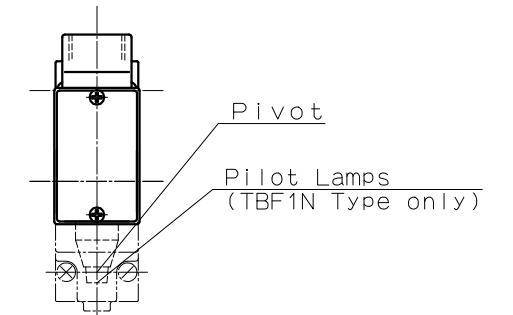
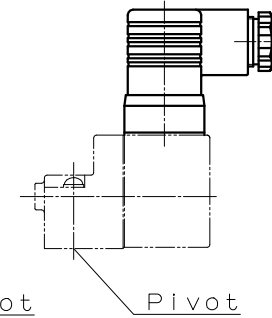
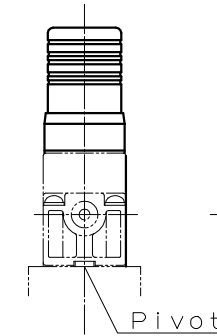
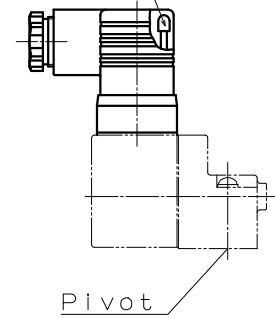
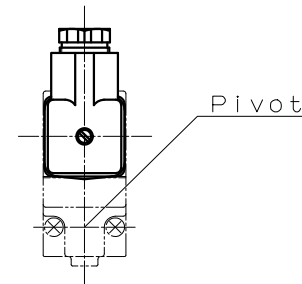
Connecting Method

Type 'DT' 'DN' 'DNZ'

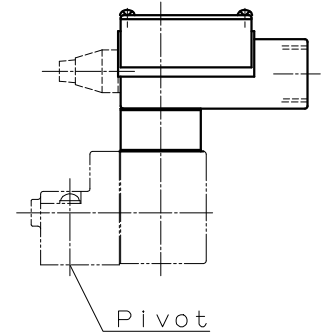
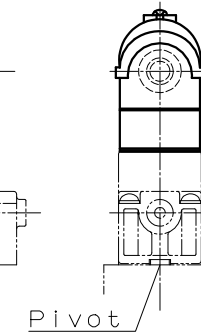
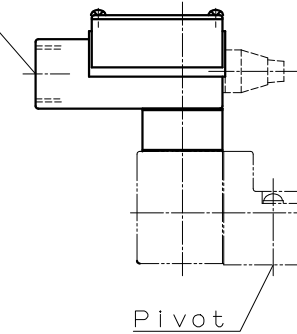
Type 'TBF1' 'TBF1N' 'TBF1ZN'



Pilot Lamps
(DN Type only)

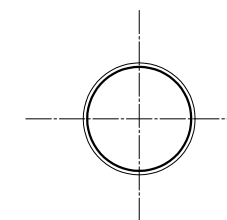


G1/2

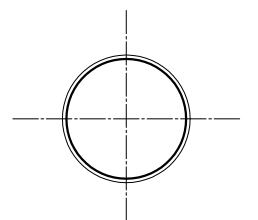


Port Size

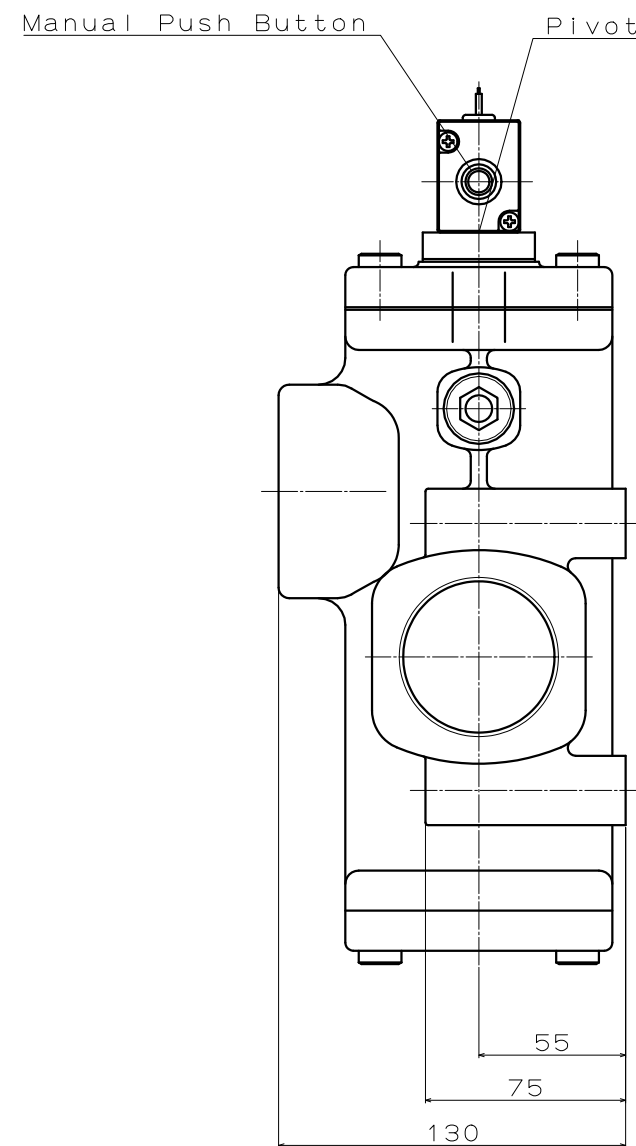
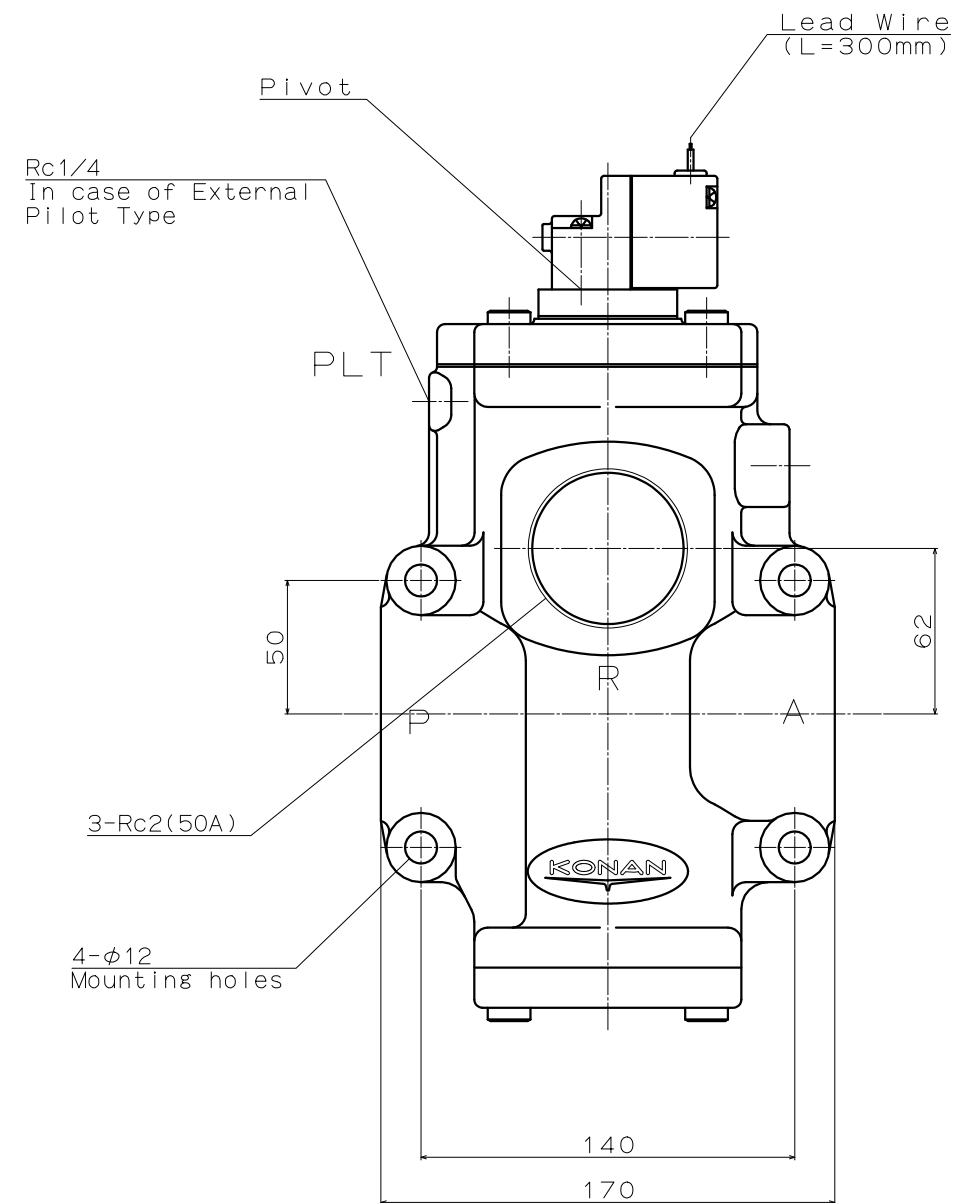
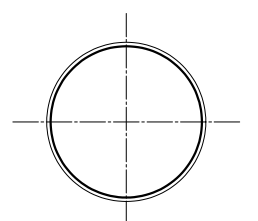
Rc1 1/4 (32A)



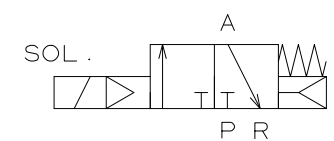
Rc1 1/2 (40A)



Rc2 (50A)



JIS Symbol



Model:

MVW7F-14-S-32A
MVW7F-14-S-40A
MVW7F-14-S-50A

Maker:

KONAN

File Name:

MVW7F-14-S