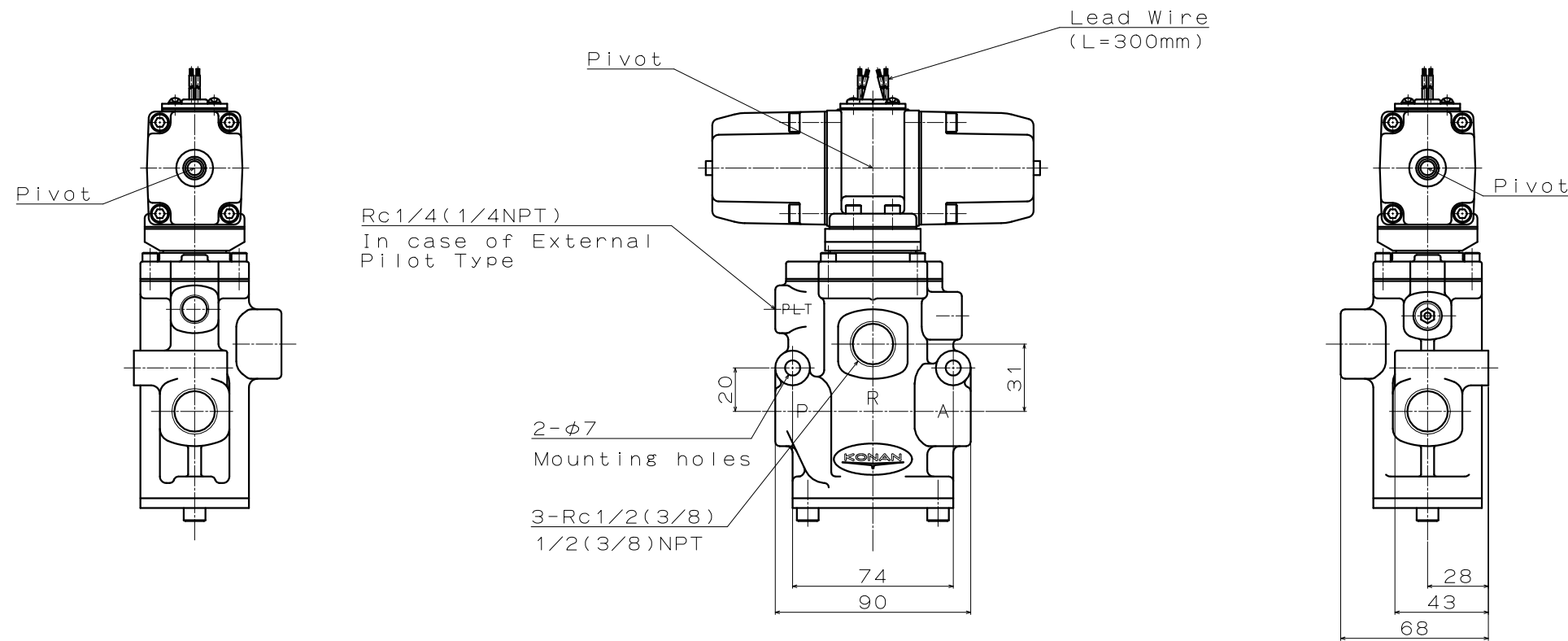
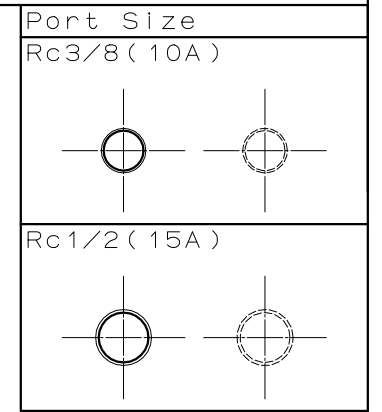
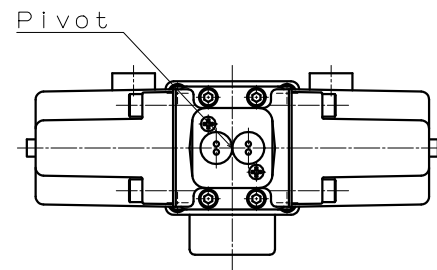


Connecting Method				
Type "DT" "DN"	Type "TBF1"	Type "TBN2" "TBN2Z" "TBN2N" "TBN2NZ"		



JIS Symbol

Model :
MVW7N-04-D-10A-AC
MVW7N-04-D-15A-AC

Maker :
KONAN

File Name :
MVW7N-04-D-AC