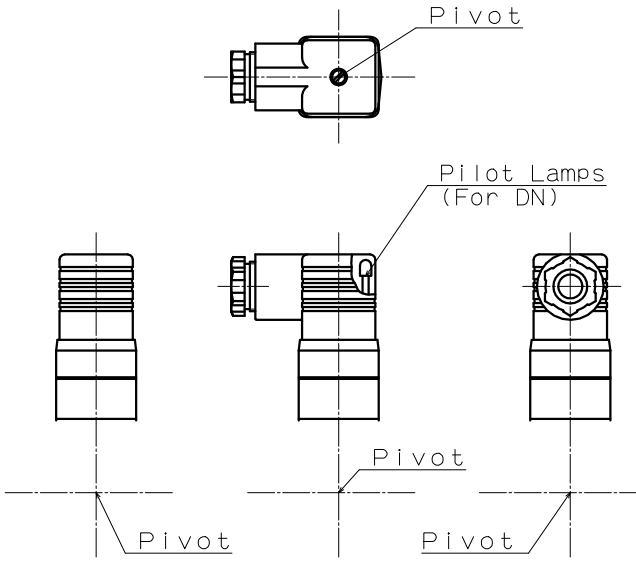
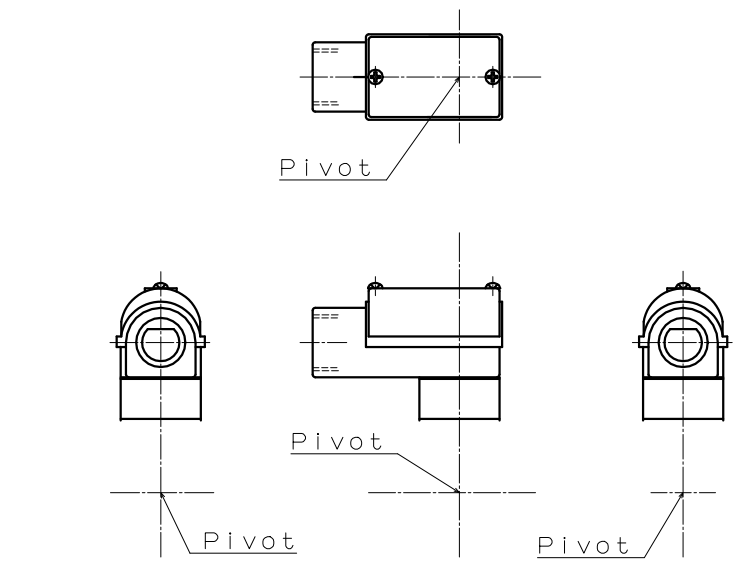
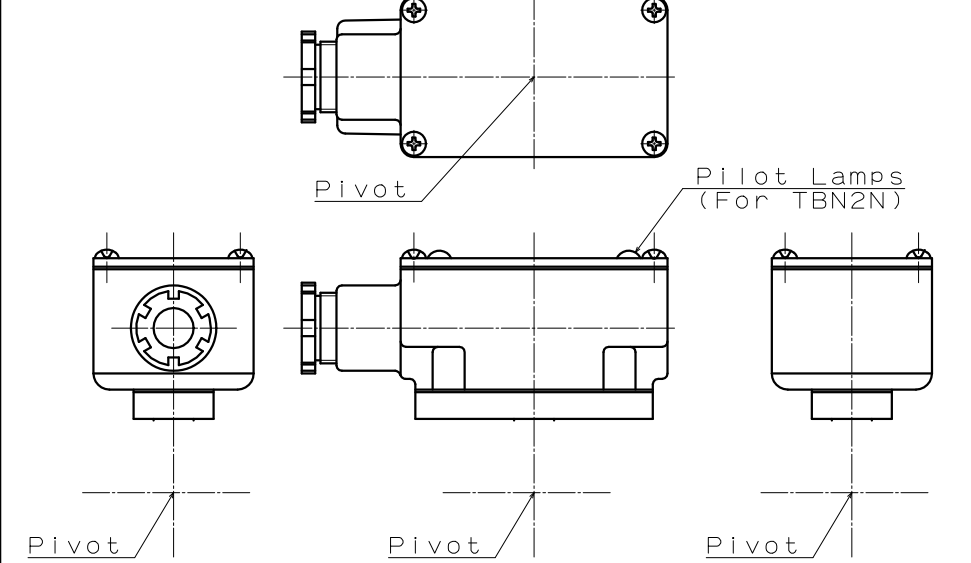
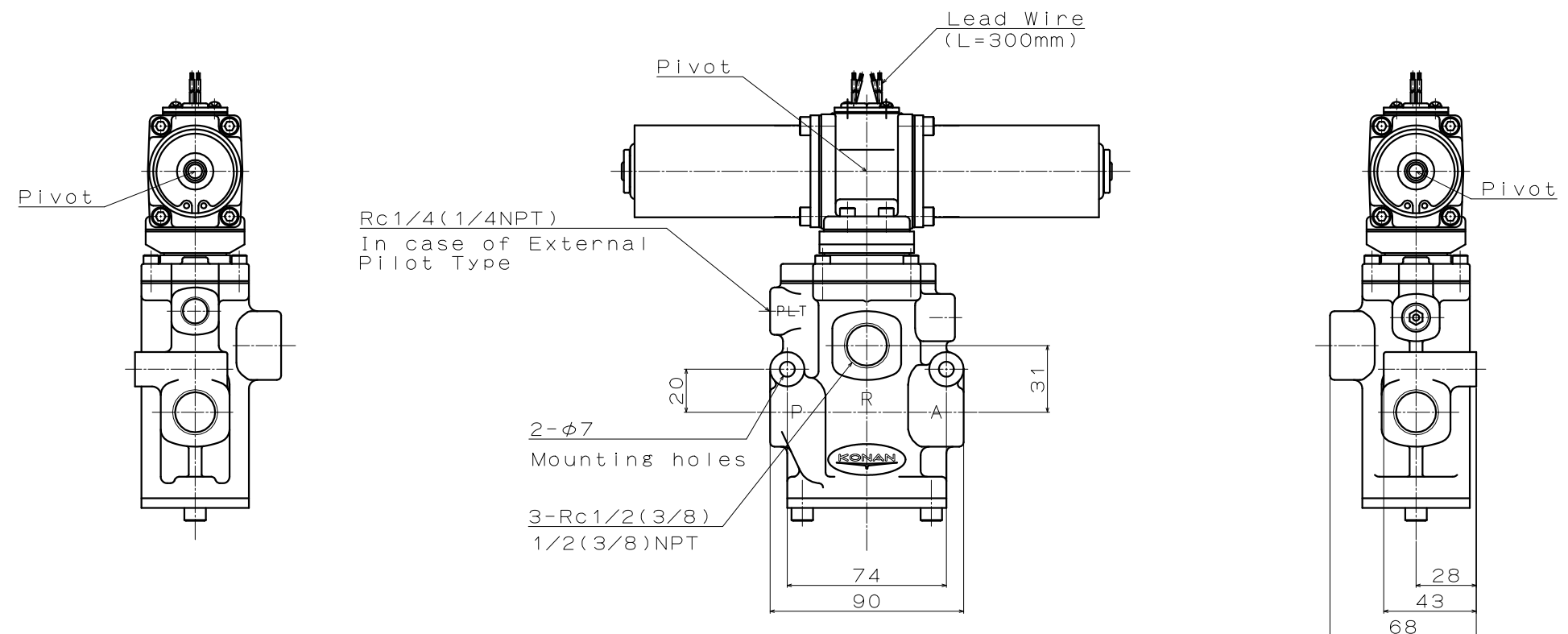
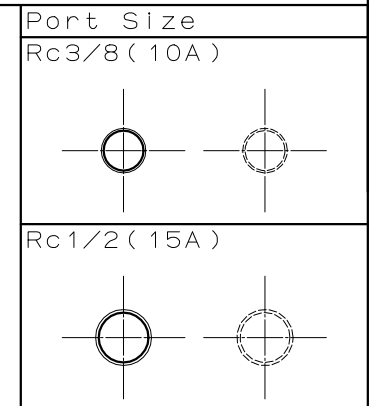
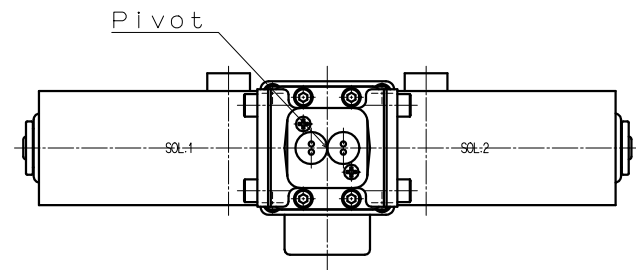
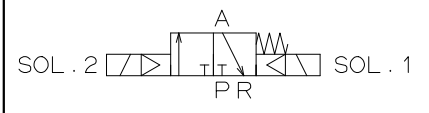


Connecting Method				
Type "DT" "DN"	Type "TBF1"	Type "TBN2" "TBN2Z" "TBN2N" "TBN2NZ"		
				



JIS Symbol



Model :

MVW7N-04-D-10A-DC

MVW7N-04-D-15A-DC

Maker :

KONAN

File Name :

MVW7N-04-D-DC