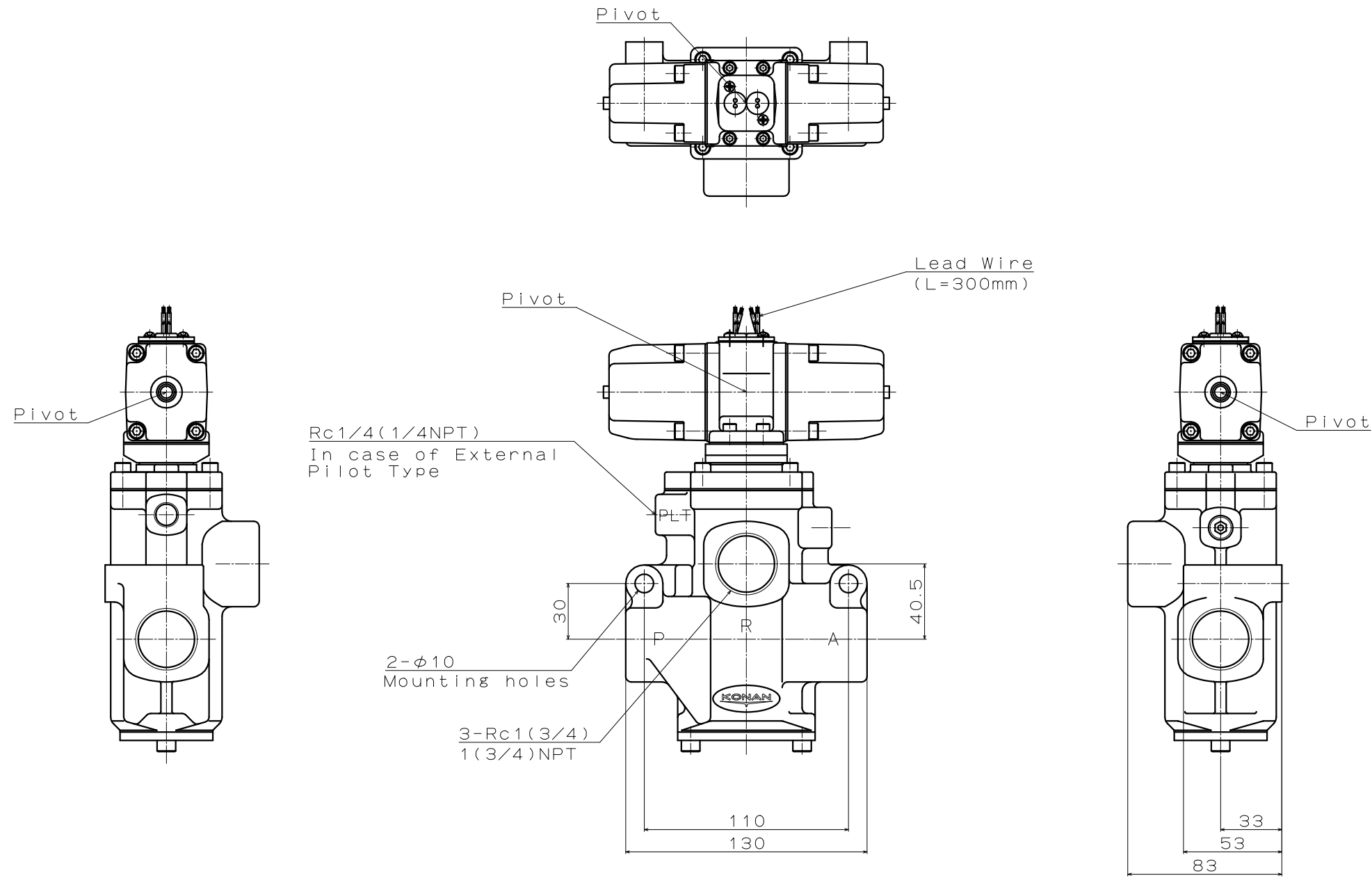


Connecting Method		
Type "DT" "DN"	Type "TBF1"	Type "TBN2" "TBN2Z" "TBN2N" "TBN2NZ"

Port Size Rc3/4 (20A)
Rc1 (25A)



JIS Symbol
Model :
MVW7N-08-D-20A-AC
MVW7N-08-D-25A-AC
Maker :
KONAN
File Name :
MVW7N-08-D-AC