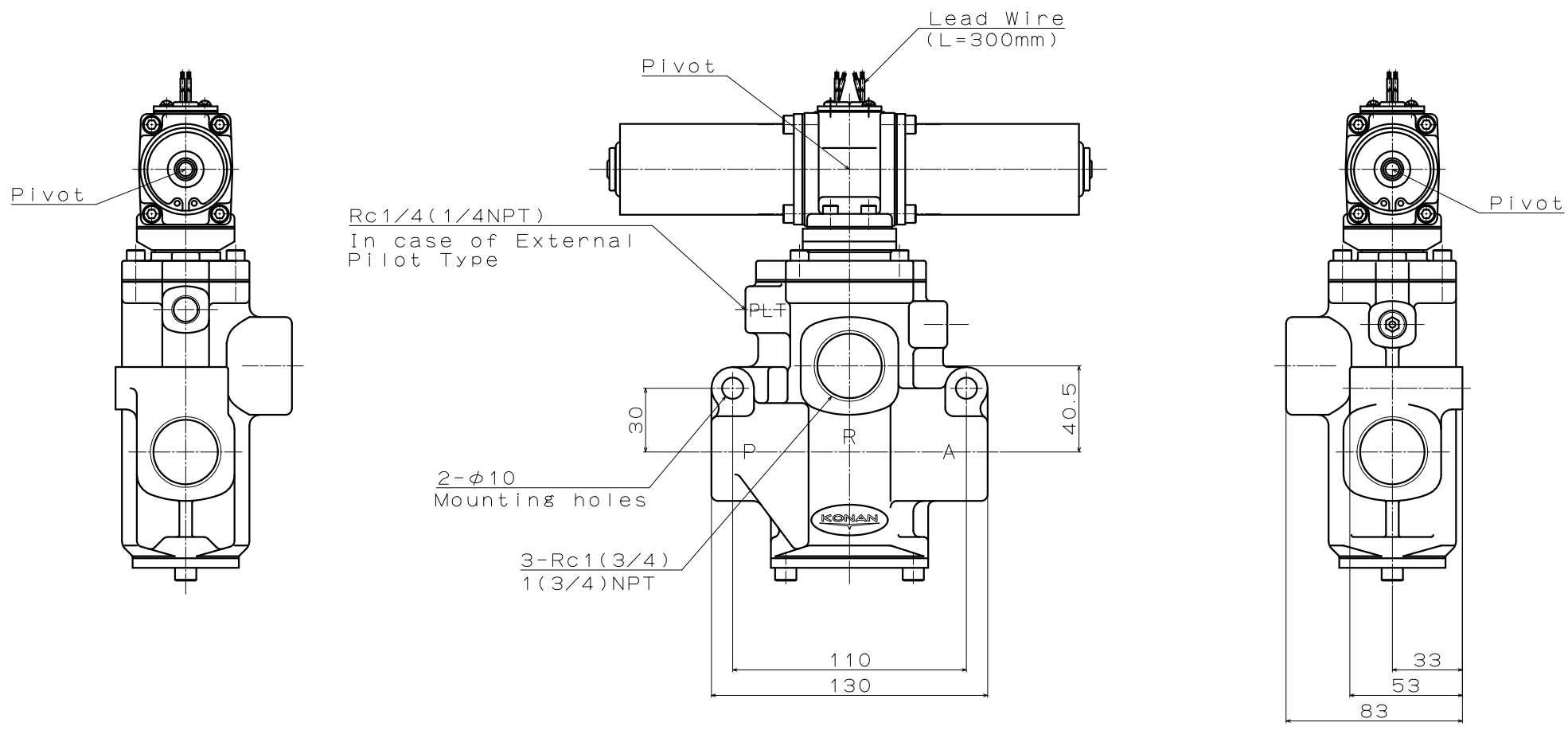
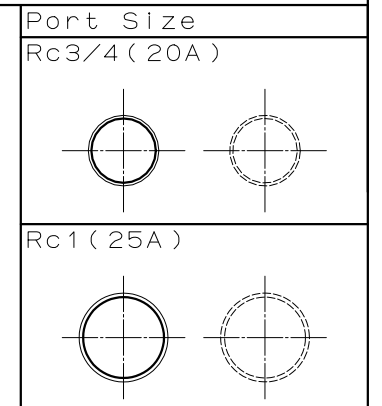
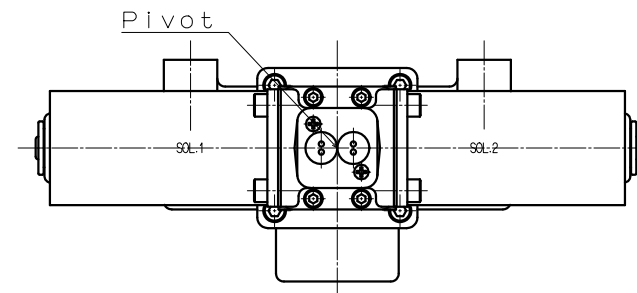


Connecting Method		
Type "DT" "DN"	Type "TBF1"	Type "TBN2" "TBN2Z" "TBN2N" "TBN2NZ"
<p>Pivot</p> <p>Pivot</p> <p>Pilot Lamps (For DN)</p> <p>Pivot</p> <p>Pivot</p>	<p>Pivot</p> <p>Pivot</p> <p>Pivot</p> <p>Pivot</p>	<p>Pivot</p> <p>Pivot</p> <p>Pilot Lamps (For TBN2N)</p> <p>Pivot</p> <p>Pivot</p> <p>Pivot</p>



JIS Symbol

Model :
MVW7N-08-D-20A-DC
MVW7N-08-D-25A-DC

Maker :
KONAN

File Name :
MVW7N-08-D-DC