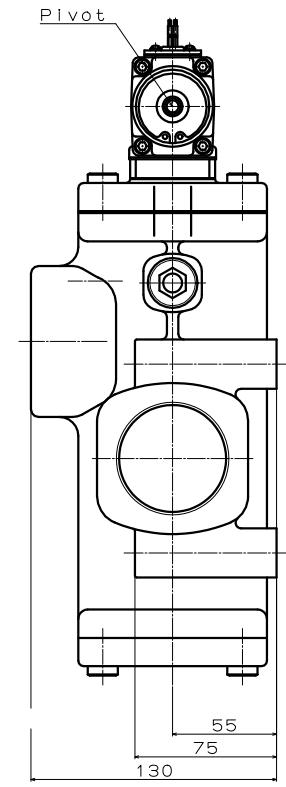
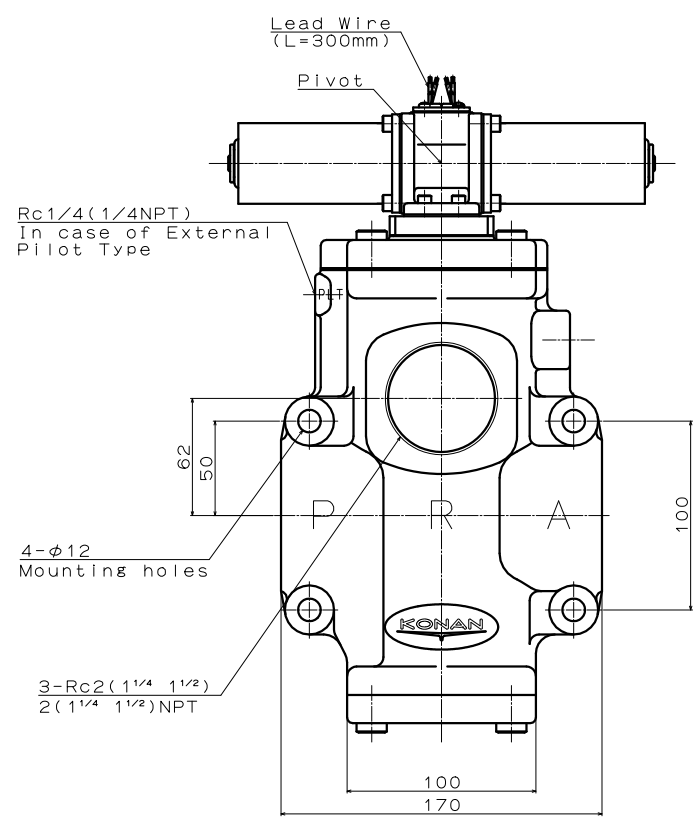
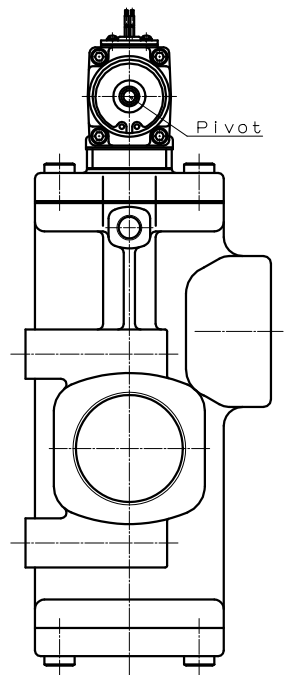
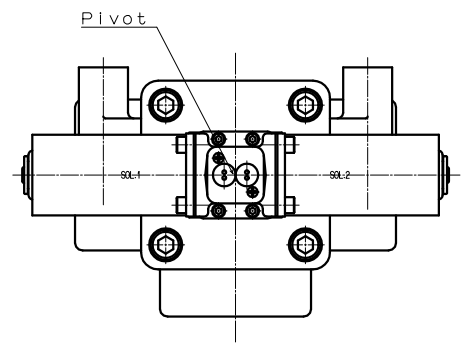
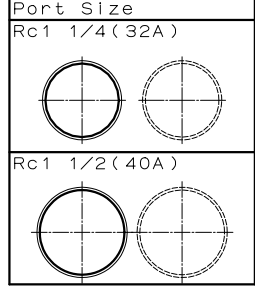


Connecting Method	Type 'DT' 'DN'	Type 'TBF1'	Type 'TBN2' 'TBN2Z' 'TBN2N' 'TBN2NZ'
	<p>Pivot</p> <p>Pilot Lamps (For DN)</p> <p>Pivot</p> <p>Pivot</p> <p>Pivot</p>	<p>Pivot</p> <p>Pivot</p> <p>Pivot</p> <p>Pivot</p>	<p>Pivot</p> <p>Pilot Lamps (For TBN2N)</p> <p>Pivot</p> <p>Pivot</p> <p>Pivot</p>



JIS Symbol
Model:
MVW7N-14-D-32A-DC
MVW7N-14-D-40A-DC
MVW7N-14-D-50A-DC
Maker:
KONAN
File Name:
MVW7N-14-D-DC