



Pneumatic Equipments for Steel Plants

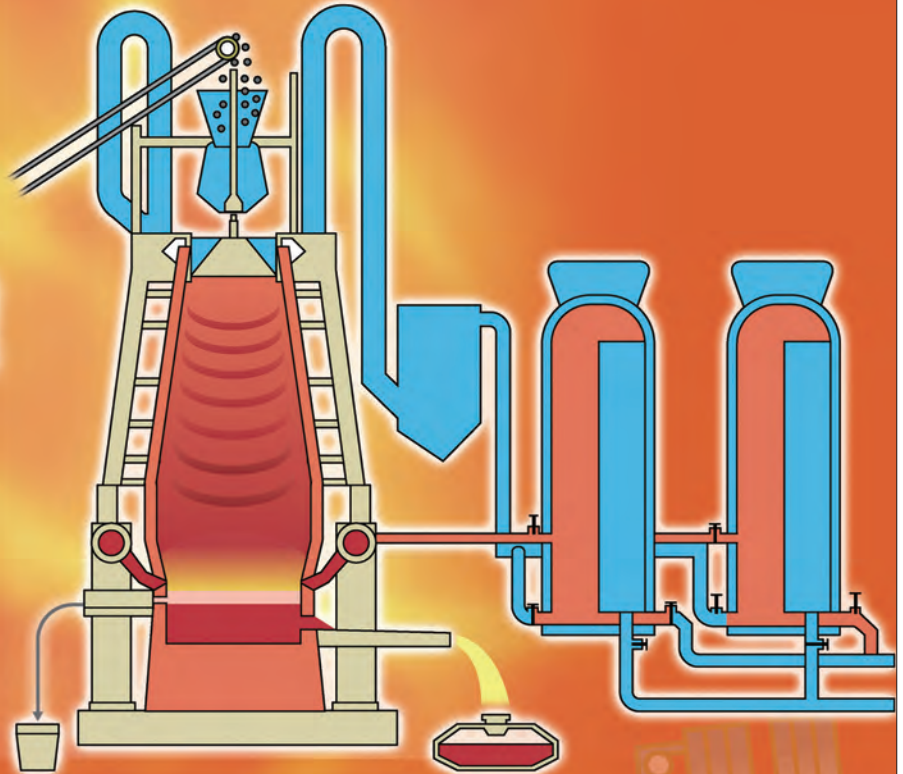
Heavy Duty Solenoid Valves



Heavy Duty Cylinders



Various products lineup Line Components

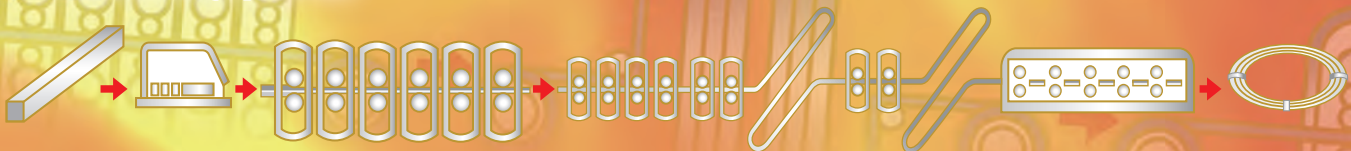


Source: *Making of iron & steel*,
The Japan Iron and Steel Federation

Secure control mechanism achieved by solenoid with strong suction power and pilot valve resistant to contaminated air.



Robust design to endure harsh conditions in steel plants and other heavy machinery plants.



Our flexible technologies covering various products lineup from general-purpose products to special products for each industry field and application can support your production line.



1 Solenoid Valves

Solenoid Valves for Heavy Duty Applications

Incorporating solenoid with strong suction power and pilot valve resistant to contaminated air, the valves have long been evaluated its high reliability. Please see catalogue No. 2110W for details.

3-port Solenoid Valves



Model	MVW1	MVW7
Port size	Rc1/4~Rc3/8	Rc3/8~Rc1
Effective sectional area	3.8mm ²	65~190mm ²
Operating pressure	0~0.7MPa	0.12~0.7MPa
Proof pressure	1.05MPa	
Operating temperature	-20~50°C	

4- / 5-port Solenoid Valves



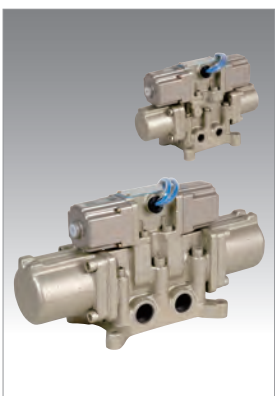
Single-acting type

Model	MVW2	MVS2	MVS120C	MVS150C
Port size	Rc1/4~Rc3/8	Rc3/8~Rc1	Rc1_1/4	Rc1_1/2
Effective sectional area	15mm ²	60~165mm ²	250mm ²	300mm ²
Operating pressure	0.12~0.7MPa		0.2~0.7MPa	
Proof pressure	1.05MPa			
Operating temperature	-20~50°C			



Double-acting type

Model	MVD2	MVD120C	MVD150C
Port size	Rc3/8~Rc1	Rc1_1/4	Rc1_1/2
Effective sectional area	60~165mm ²	250mm ²	300mm ²
Operating pressure	0.12~0.7MPa	0.2~0.7MPa	
Proof pressure	1.05MPa		
Operating temperature	-20~50°C		



3-position type

Model	MVPC1	MVPC2	MVPO1	MVPO2	MVPE1	MVPE2
Effective sectional area	Closed center		Center open to exhaust		Center open to pressure	
Port size	Rc3/8~Rc1	Rc1_1/4~Rc1_1/2	Rc3/8~Rc1	Rc1_1/4~Rc1_1/2	Rc3/8~Rc1	Rc1_1/4~Rc1_1/2
Effective sectional area	35~180mm ²	250~300mm ²	35~180mm ²	250~300mm ²	35~180mm ²	250~300mm ²
Operating pressure	0.12~0.7MPa					
Proof pressure	1.05MPa					
Operating temperature	-20~50°C					

Large-capacity Poppet-type Solenoid Valves

Adopting poppet structure for main and pilot valves, the solenoid valves demonstrate excellent durability for drains and dusts. Please see catalogue No. 4124 for details.

3-port Solenoid Valves



Single-acting type

Model	MVW7F-04-S	MVW7F-08-S	MVW7F-14-S
Port size	Rc3/8~Rc1/2	Rc3/4~Rc1	Rc1_1/4~Rc2
Effective sectional area	70~80mm ²	200~220mm ²	700~800mm ²
Operating pressure	0.2~0.7MPa		
Proof pressure	1.05MPa		
Operating temperature	-20~50°C		



Double-acting type

Model	MVW7F-04-D	MVW7F-08-D	MVW7F-14-D
Port size	Rc3/8~Rc1/2	Rc3/4~Rc1	Rc1_1/4~Rc2
Effective sectional area	70~80mm ²	200~220mm ²	700~800mm ²
Operating pressure	0.2~0.7MPa		
Proof pressure	1.05MPa		
Operating temperature	-20~50°C		

4- / 5-port Solenoid Valves



Single-acting type

Model	MVW344F-04-S	MVW344F-08-S	MVW344F-14-S
Port size	Rc3/8~Rc1/2	Rc3/4~Rc1	Rc1_1/4~Rc2
Effective sectional area	70~80mm ²	200~220mm ²	700~800mm ²
Operating pressure	0.2~0.7MPa		
Proof pressure	1.05MPa		
Operating temperature	-20~50°C		



Double-acting type

Model	MVW344N-04-D	MVW344N-08-D	MVW344N-14-D
Port size	Rc3/8~Rc1/2	Rc3/4~Rc1	Rc1_1/4~Rc2
Effective sectional area	70~80mm ²	200~220mm ²	700~800mm ²
Operating pressure	0.2~0.7MPa		
Proof pressure	1.05MPa		
Operating temperature	-20~50°C		

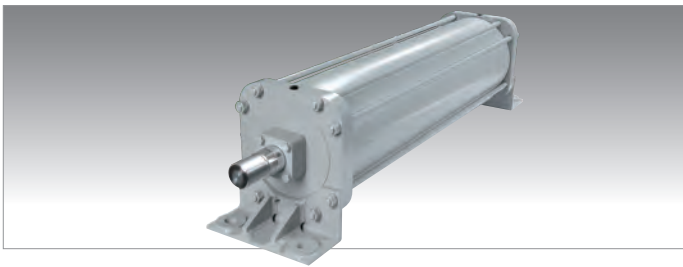
2 Cylinders

Heavy Duty Cylinders

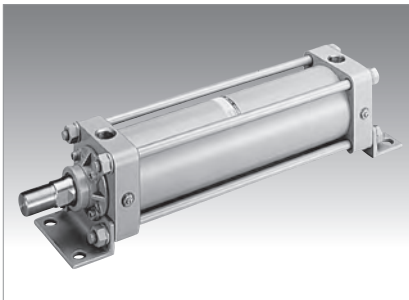
Copes with various environment and usage.
Please see catalogue No. 2221 for details

Standard Cylinders

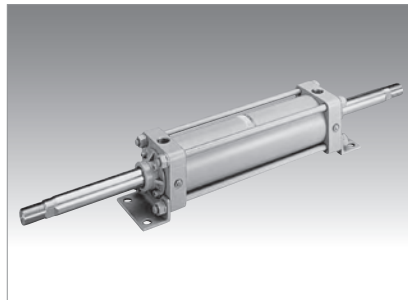
With high durability, the cylinders are applicable for use in harsh conditions. Oilless type, double rod type, stroke adjustable type, and many other types are available.



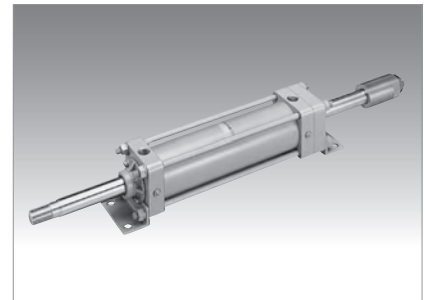
Model	CP611
Tube diameter	φ40~500
Operating pressure	0.2~1.0MPa
Proof pressure	1.5MPa
Operating temperature	-5~60°C



●Oilless enclosed cylinders(CP611LU)



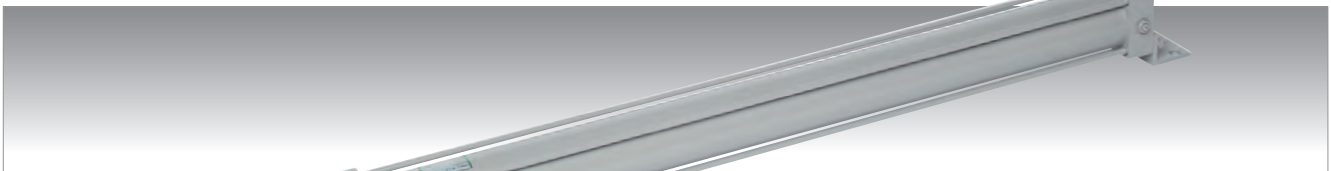
●Double rod type(CP611DR)



●Rod-in stroke adjustable type(CP611AD)
/ Rod-out stroke adjustable type(CP611AR)

High Rigidity Type Cylinders

Based on CP611 type standard cylinder, the high rigidity cylinders with long stroke demonstrate excellent durability for overhung loads.

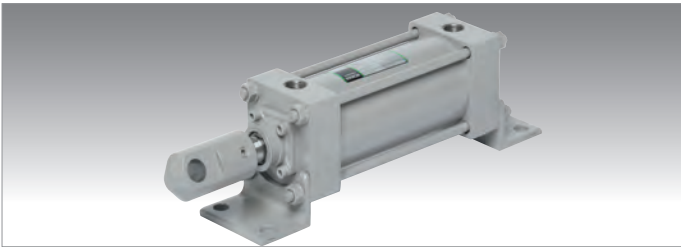


Model	CP691
Tube diameter	φ40~250
Operating pressure	0.2~1.0MPa
Proof pressure	1.5MPa
Operating temperature	-5~60°C

Special-need applicable cylinders

Heat-resistant Cylinders

This series can be used as countermeasures to conductive heat or radiation heat. CP61HS type is applicable for conditions with max. temperature 250°C. Please contact us for details.



Model	CP611H
Tube diameter	φ40~500
Operating pressure	0.2~1.0MPa
Proof pressure	1.5MPa
Operating temperature	5~100°C

Externally Corrosion-resistant Type Cylinders (Stainless Steel)

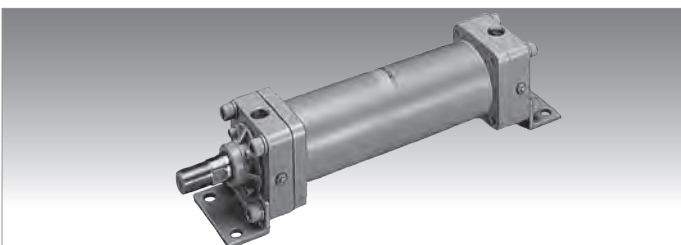
Based on CP611 type, the cylinders adopt stainless steel for all external parts.



Model	CP61SU
Tube diameter	φ40~250
Operating pressure	0.2~1.0MPa
Proof pressure	1.5MPa
Operating temperature	-5~60°C

MILL Type Cylinders

Welding bronze to piston sliding surface, the cylinders are free from piston seizing due to overhung loads. CP61MR type integrates piston rod and eye-type fitting to prevent trouble due to rod loosening.



Model	CP61M / CP61MR
Tube diameter	φ40~500
Operating pressure	0.2~1.0MPa
Proof pressure	1.5MPa
Operating temperature	-5~60°C

3

Line Components

Please see catalogue No. 2309 for details.

Air filter

* The external corrosion-resistant type is also available.



General purpose Filter rating : 40 μ m

Model		AF2		
Port size		Rc1/4~Rc1	Rc1_1/4~Rc2	Rc2_1/2 80A-100A Flange
Effective sectional area		40mm ² ~2500mm ²		
Operating pressure		0~1.0MPa		
Proof pressure		1.5MPa		
Operating temperature	General purpose	-20~60°C		
	Heat-resistant	5~100°C	-	
	Freeze-resistant	-40~45°C	-	

Instrumentation Filter rating : 5 μ m

Model		AF2		
Port size		Rc1/8~Rc1/4	Rc1/4~Rc1	Rc1/4~Rc2
Effective sectional area		7mm ² ~300mm ²		
Operating pressure		0~1.0MPa		
Proof pressure		1.5MPa		
Operating temperature	General purpose	-20~60°C		
	Heat-resistant	-	5~100°C	-
	Freeze-resistant	-	-40~45°C	-

Regulator

* The external corrosion-resistant type is also available.



Model		RV2		
Port size		Rc1/8~Rc1/4	Rc1/4~Rc1	Rc1_1/4~Rc2_1/2
Operating pressure	Primary side(IN)	Max. 1.0MPa		
	Secondary side(OUT)	0.05~0.7MPa		
Proof pressure	Primary side(IN)	1.5MPa		
Operating temperature	General purpose	-20~60°C		
	Heat-resistant	-	5~100°C	-
	Freeze-resistant	-	-40~45°C	-

Lubricator

* The external corrosion-resistant type is also available.



Model		OL2(OL21)
Port size		Rc1/4~Rc2_1/2
Bowl oil capacity		200cm ³ ~1500cm ³
Operating pressure		0.05~0.7MPa
Proof pressure		1.05MPa
Operating temperature	General purpose	5~60°C
	Heat-resistant	5~100°C

Volume booster

* The external corrosion-resistant type is also available.



Model		VB3	
Port size		Rc3/8~Rc1	Rc2
Operating pressure	Primary side(IN)	Max. 1.0MPa	
	Secondary side(OUT)	0.02~0.7MPa	0.05~0.8MPa
Operating temperature		-20~60°C	

Speed controller

* The external corrosion-resistant type is also available.



Model		SC6	SC213
Port size		Rc1/4~Rc1	Rc1_1/4~Rc2_1/2 50A Flange
Operating pressure		0.05~0.7MPa	
Proof pressure		1.05MPa	
Effective sectional area	Max.controlled flow	0.8mm ² ~1050mm ²	
	Max.Free flow	12.5mm ² ~840mm ²	
Operating temperature	General purpose	-20~60°C	5~60°C
	Heat-resistant	5~100°C	-
	Freeze-resistant	-40~45°C	-

Manual operated valve



Model	PVT1, PVT406, PVT410
Port size	Rc1/4~Rc1
Bowl oil capacity	5.7mm ³ ~100mm ³
Operating pressure	0~0.7MPa
Proof pressure	1.05MPa
Operating temperature	5~60°C

3 Line Components

Please see catalogue No. 2309 for details.

Silencer / With throttle valve



Equipment	Silencer	With throttle valve	Stainless-steel made
Model	ES3, ES4, ES5	EVS4, EVS5, EVS6	ES4S, ES5S
Port size	Rc1/8~Rc2_1/2	M5~Rc1/2	Rc1/8~Rc2_1/2
Attenuation	7~25dB(A)		20dB(A)
Operating pressure	0~1.0MPa		
Operating temperature	-20~60°C		5~150°C

Check valve



* The external corrosion-resistant type is also available.

Model		CV3	CV1
Port size		Rc1/4~Rc1	Rc1_1/4~Rc2
Operating pressure		0.05~0.7MPa	0.1~0.7MPa
Proof pressure		1.05MPa	
Operating temperature	General purpose	-20~60°C	5~60°C
	Heat-resistant	5~100°C	-
	Freeze-resistant	-40~45°C	-

KONAN ELECTRIC CO.,LTD.

International Operation Division

4-97, Uedahigashimachi, Nishinomiya, Hyogo, 663-8133, Japan
 Phone : +81-798-48-5931 Fax : +81-798-40-6659



Tokyo Branch Tohoku office Nagoya office Hiroshima office
 Osaka Branch Chiba office Kanazawa office Kitakyushu office
 Seibu Branch Hokkaido office Takamatsu office

Distributing Agent

URL=<https://www.konan-em.com/>

2009.10
 Please note that this catalog is subject to revision without notice.
 2013.12-2版(D4)-K