

<h2>Speed Controllers</h2>	形式 <h2>SC6 series</h2>
----------------------------	---------------------------

Thank you for selecting KONAN product.
Before installation and use of the products, please read this Service Instructions for proper handling.

Standard Specifications

Model code	Standard type	SC6-02		SC6-04			SC6-06		SC6-08	
	Corrosion-resistant type	SC6S-02		SC6S-04			SC6S-06		SC6S-08	
	Fine-tuning type	※SC6F-02								
Port size		8A	10A	8A	10A	15A	15A	20A	20A	25A
		Rc 1/4	Rc 3/8	Rc 1/4	Rc 3/8	Rc 1/2	Rc 1/2	Rc 3/4	Rc 3/4	Rc1
Effectiv sectional area	Max.controlled flow	10mm ²		25mm ²			72mm ²		170mm ²	
	Free flow	12.5mm ²		30mm ²			90mm ²		152mm ²	
Operating pressure		0.05~0.7MPa								
Proof pressure		1.05MPa								
Cracking pressure		0.05MPa or less								
Operating temperature		General purpose : -20~60°C / Heat-resistant : 5~100°C / Freeze-resistant : -40~45°C								
Mass		0.18kg		0.17kg			0.36kg		0.8kg	

- NPT type pipe screw is available.
- For fine-tuning type, note that the effective sectional area for the control flow is 0 to 0.8mm², while the area for the free flow is as shown above.
- For specifications other than those listed above, please contact us.

Before Installation

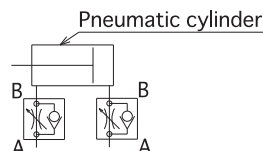
- Do not leave the units unpacked at the place where they are exposed to water and dusts.
- Do not remove the plugs at the ports until just before piping.
- After piping make sure to perform flushing.
Iron scraps, sealing materials, and other foreign substances remaining in the piping may enter the sliding parts or damage packings, which will cause malfunction of the unit.

Piping Precautions

- Make sure to properly connect the ports, confirming A and B marks on the body.
- When connecting piping elements (pipes and joints), be careful not to screw in excessively (4- to 5-thread screwing is enough).
- Installation position is not specified.
- After piping sufficiently perform air flushing to remove dusts, rusts, sealing scraps, oil, etc.

Handling Precautions

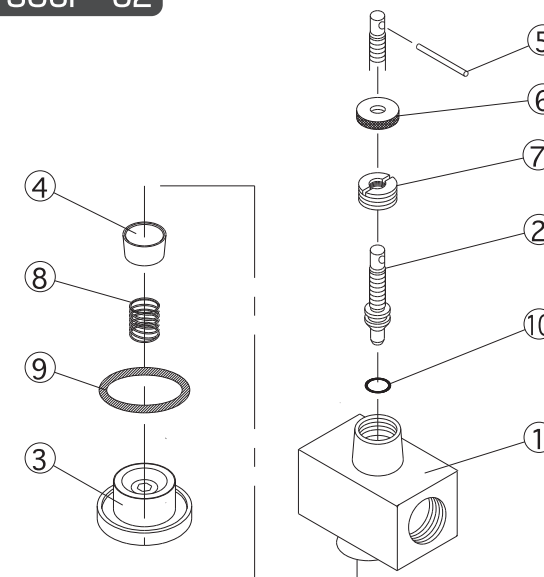
- In the most extensively used speed control method, the speed controller is installed so that the exhaust flow from actuators such as pneumatic cylinders can be reduced (meter-out system).
- Sometimes the speed controller is installed so that the supply flow to the actuator can be reduced (meter-in system).
Generally, the meter-out system provides a more stable speed control.



- When you control the speed of an actuator, please open the speed controller gradually from a closedown state. If speed regulation is carried out from a state with the open speed controller, the cylinder may operate suddenly and is dangerous.
- As the control flow determines the control performance of the actuator (cylinder), select the speed controller referring to the effective sectional area.
If the speed controller with excessively large control flow is used, speed adjustment will be difficult and narrow space of the needle valve will cause clogging, making the operation unstable.
If the speed controller with excessively low control flow is used, specified speed may not be achieved.
In SC6-04 type, excessive push-in of the needle may cause valve seat deformation and decreased performance.
Do not screw in the needle forcedly when the needle becomes heavy during flow volume adjustment.

[Exploded View]

SC6-02 · SC6S-02 · SC6F-02



Parts List

No.	Description	Q'ty
1	Body	1
2	Adjustment screw	1
3	Cover	1
4	Valve	1
5	Handle	1
6	Locknut	1
7	Bush	1
8	Spring	1
9	O-ring	1
10	O-ring	1

- See back page for disassembly/assembly procedure.
- For questions please contact the nearest Konan branch office.

Konan Electric Co., Ltd.

URL=<https://www.konan-em.com/>

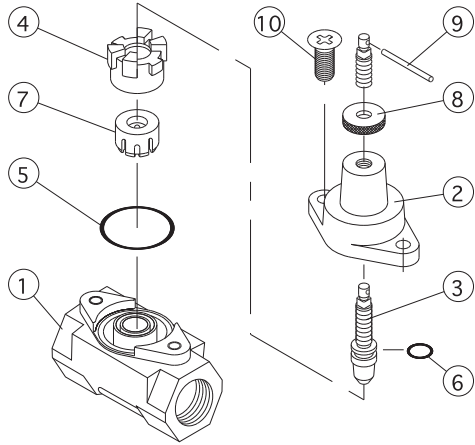
Tokyo Branch
Shiba-Sanesu-Wakamatsu Bldg.
7-8, Shiba 4-chome, Minatoku,
Tokyo 108-0014, Japan
Phone:03-3454-1711 Fax:03-3454-8699

Seibu Branch
Momiji Hiroshima Hikarimachi Bldg.
12-20, Hikarimachi 1-chome, Higashiku,
Hiroshima 732-0052, Japan
Phone:082-568-0071 Fax:082-568-0072

Osaka Branch
Hankyu Terminal Bldg.
1-4, Shibata 1-chome, Kitaku,
Osaka 530-0012, Japan
Phone:06-6373-6701 Fax:06-6373-6740

International Operation Division
4-97, Uedahigashimachi, Nishinomiya,
Hyogo 663-8133, Japan
Phone:0798-48-5931 Fax:0798-40-6659

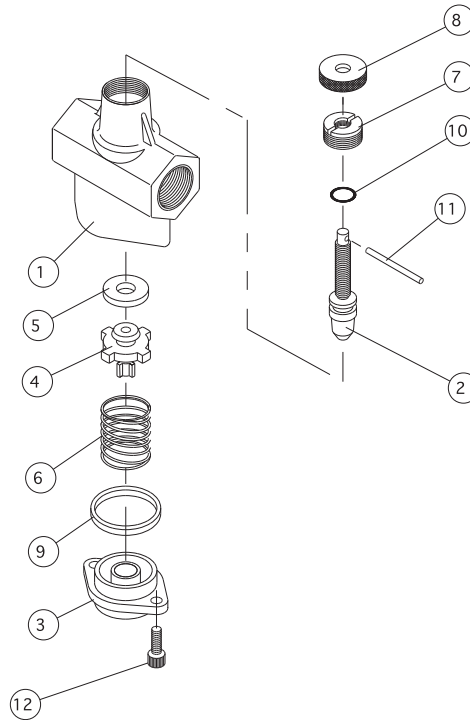
SC6-04 · SC6S-04



Parts List

No.	Description	Q'ty
1	Body	1
2	Cover	1
3	Adjustment screw	1
4	Valve	1
5	O-ring	1
6	O-ring	1
7	Valve seat	1
8	Locknut	1
9	Handle	1
10	Pan head screw	2

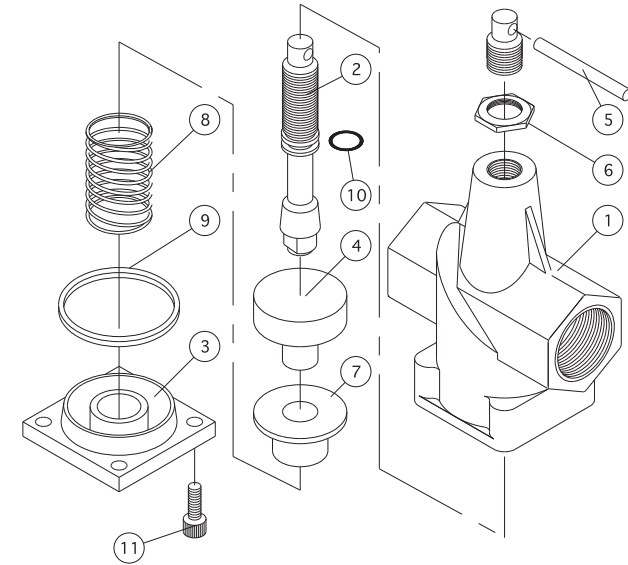
SC6-06 · SC6S-06



Parts List

No.	Description	Q'ty
1	Body	1
2	Adjustment screw	1
3	Bottom cover	1
4	Valve	1
5	Packing	1
6	Spring	1
7	Bush	1
8	Locknut	1
9	Gasket	1
10	O-ring	1
11	Handle	1
12	Socket head cap screw	2

SC6-08 · SC6S-08



Parts List

No.	Description	Q'ty
1	Body	1
2	Adjustment screw	1
3	Cover	1
4	Valve	1
5	Handle	1
6	Locknut	1
7	Valve seat	1
8	Spring	1
9	Gasket	1
10	O-ring	1
11	Socket head cap screw	4